

RAINWATER SYSTEMS DIRECT FIXED GUTTERS

DIRECT FIXED GUTTERS

Bailey Direct Fixed Gutter Systems include Lindisfarne, Kenilworth, Harlech and Stirling pressed aluminium gutter systems and Dover and Arundel extruded aluminium gutter systems.

These gutters are designed to screw direct to timber fascias with the stainless steel screws and nylon washers provided. Gutters should be level or to a fall as directed by site supervision.

COMPLETE EAVES SYSTEMS

Bailey gutters are normally supplied as part of a combined rainwater and fascia soffit system. The sequence of installation within these systems will depend on the individual project and eaves design.

When this applies these instructions should be read in conjunction with the relevant fascia soffit fixing instructions and the Bailey working drawings for the project.

HANDLING

Parts should be stored carefully, not stacked too high, and be kept in bubble wrap until required for installation. Bubble wrap should be used to protect products on site, especially when transporting or cutting. Profiles are potentially vulnerable to scratching or other damage when being moved on site and appropriate care must be taken.

PARTS

The Bailey Direct Fixed Gutter System consists of the following parts. Carefully identify each part so that you are familiar with it and its place in the system.

- Standard gutter sections
- Running outlets
- Corners - internal or external
- Stop ends - handed left and right
- External overstrap joints*
- Internal sleeved joints*

** see overleaf for selection of correct joint type*

WORKING CONDITIONS

For good quality work, and to ensure that Health & Safety requirements are maintained, installation platforms should be set at the correct working height.

CUTTING

Gutters to be cut must be measured carefully and have masking tape affixed along either side of the cut line. Accurately mark the points and then cut using a hacksaw or jig saw with the correct aluminium cutting blade. The cut line must be clean crisp and true with all burrs etc. removed. Cut edges should be touched up using the touch up paint provided.

FIXINGS AND SEALANT

Use of correct fixings is important to prevent the possibility of bi-metallic corrosion. Fixings are referenced on the boxes containing them. It is important to use only the sealant supplied to ensure lasting watertight jointing.

SEALANT HEALTH & SAFETY

When working with silicone sealant, wear protective gloves and safety goggles. If sealant comes in contact with skin, wipe off with cloth or paper and wash thoroughly with soap and water. If in contact with eyes, flush with water for 15 minutes. If irritation persists, seek medical attention.

DIRECT FIXED GUTTERS

GENERAL GUIDANCE FOR ASSEMBLY AND FIXING

RAINWATER SYSTEMS DIRECT FIXED GUTTERS

JOINT ASSEMBLY

Bailey gutter systems use two distinctly different joint types: -

- 1) The external overstrap joint (Lindisfarne, Kenilworth, Harlech, Stirling, 203mm x 152mm Arundel)
- 2) The internal joint sleeve (Dover and other Arundel sizes)

These pages cover all aspects of installing Direct Fix Gutter Systems which are common to both external and internal joint types. Familiarise yourself with the joint type applicable to the system being installed.

1) EXTERNAL OVERSTRAP JOINT

1A) These joint straps are fixed as installation proceeds by attaching the joint strap to the component being installed. Joints are assembled dry, and sealed after completion.

1B) The next component is then inserted into the joint strap. No sealant is applied at this stage.

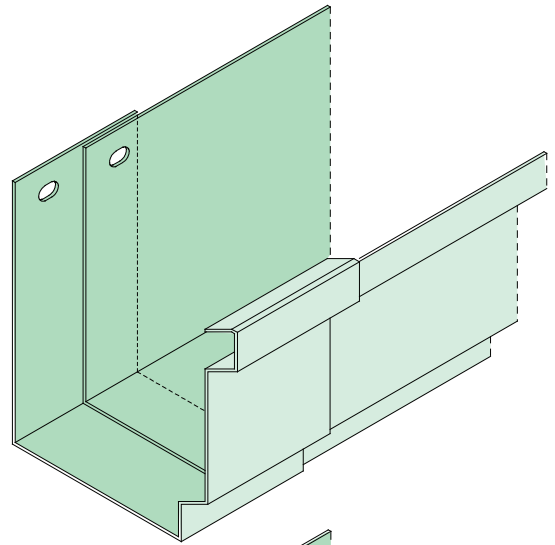
Fix only through pre-punched holes. No further fixings in back or front face of gutter are required. The joint should now be set into a 5mm to 8mm gap.

1C) On completion of a run or at the end of a day's work, ensure joints are clean and dry and apply a generous bead of the silicone sealant supplied. Ensure this is taken right to the top of the gutter both back and front.

1D) The bead must then be immediately tooled off to the gutter ends to ensure a watertight seal, achieved with a finger or shaped tool dipped in a solution of water and washing up liquid. The sealant must be applied to a dry surface. Under no circumstances should the gutters be bedded on sealant, as this will cause leaking.

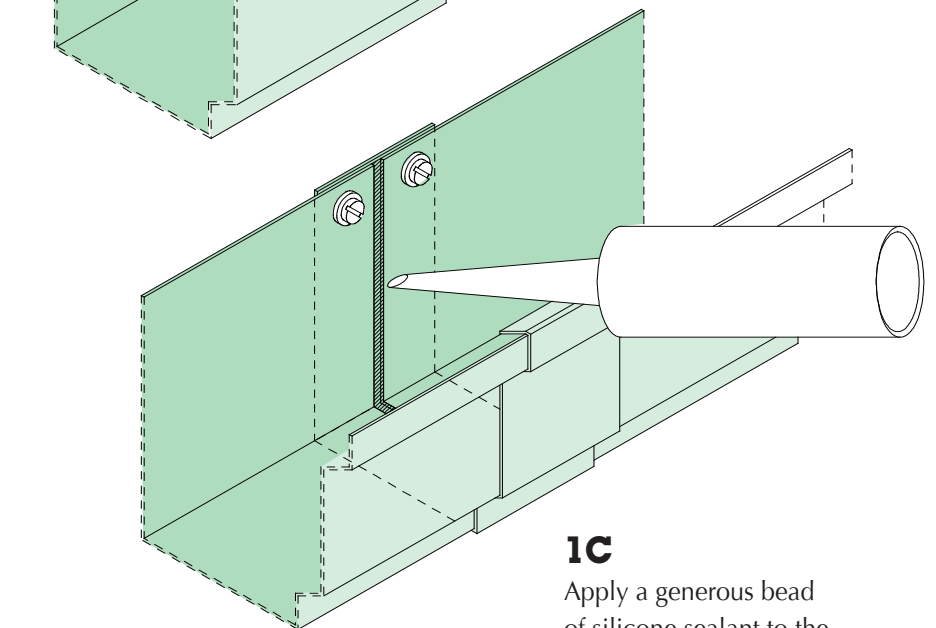
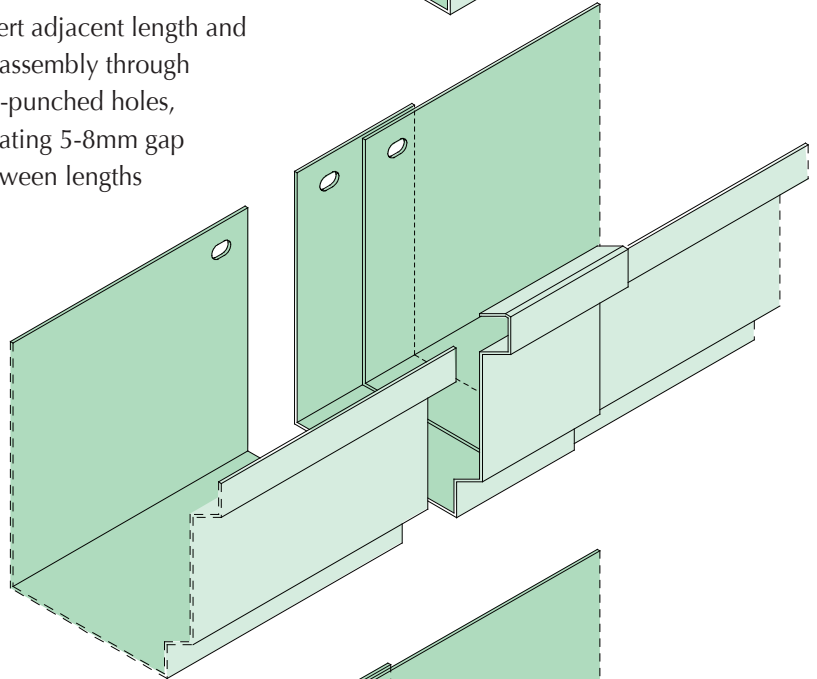
1A

Dry attach external overstrap joint to component end



1B

Insert adjacent length and fix assembly through pre-punched holes, creating 5-8mm gap between lengths

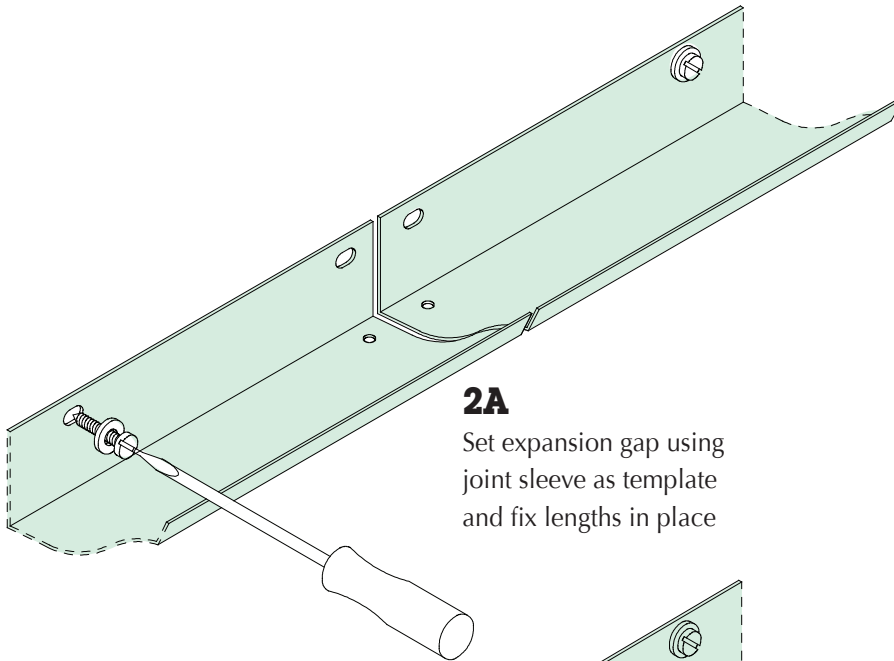


1C

Apply a generous bead of silicone sealant to the full joint length. Tool off immediately to ensure a watertight seal

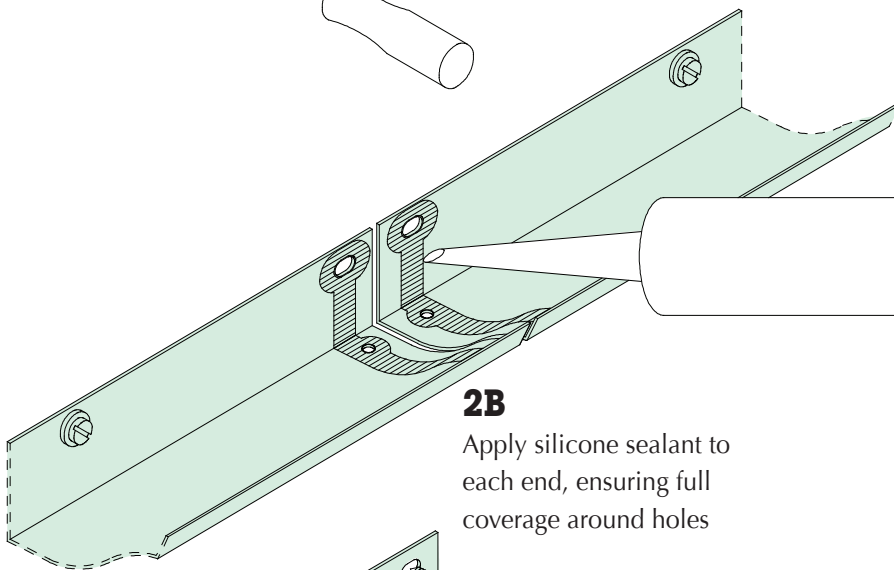


RAINWATER SYSTEMS DIRECT FIXED GUTTERS



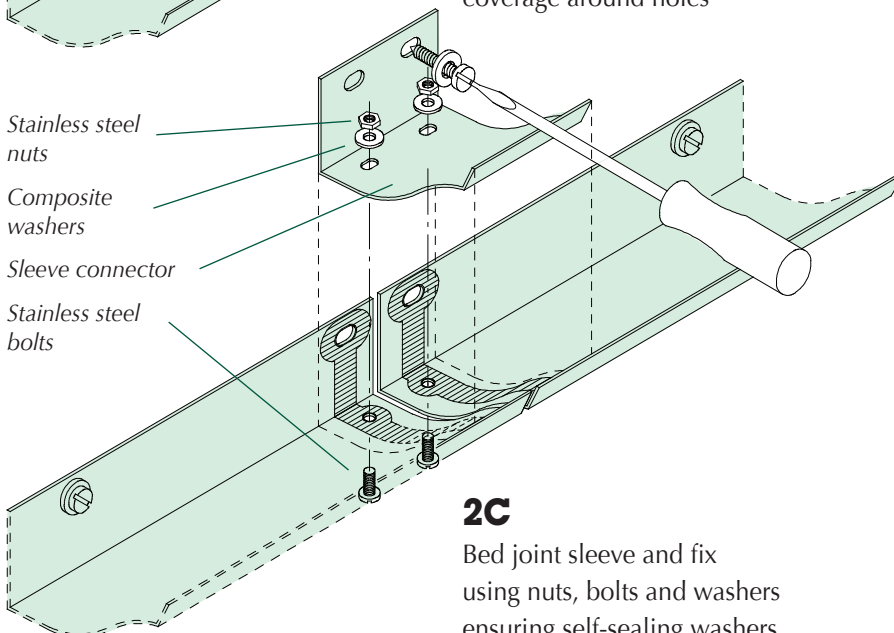
2A

Set expansion gap using joint sleeve as template and fix lengths in place



2B

Apply silicone sealant to each end, ensuring full coverage around holes



2C

Bed joint sleeve and fix using nuts, bolts and washers ensuring self-sealing washers are inside gutter

2) INTERNAL JOINT SLEEVE

2A) This joint is assembled and sealed as installation proceeds.

Components should be fixed in place accurately, setting the expansion gap between ends by using the joint sleeve but not fixing it in place.

2B) The silicone sealant provided is then applied to the ends of each component taking care to ensure that there is an adequate seal around bolt holes. The sealant must be applied to a clean dry surface.

2C) Finally bed joint sleeve into silicone sealant and fix in place with the screws nuts, bolts and washers provided. Ensure that the self sealing washers are placed on the inside of the gutter. Care should be taken not to over tighten those fixings, as this will cause sealant to be forced from the joint and result in leaking.

RAINWATER SYSTEMS DIRECT FIXED GUTTERS

INSTALLATION GUIDANCE

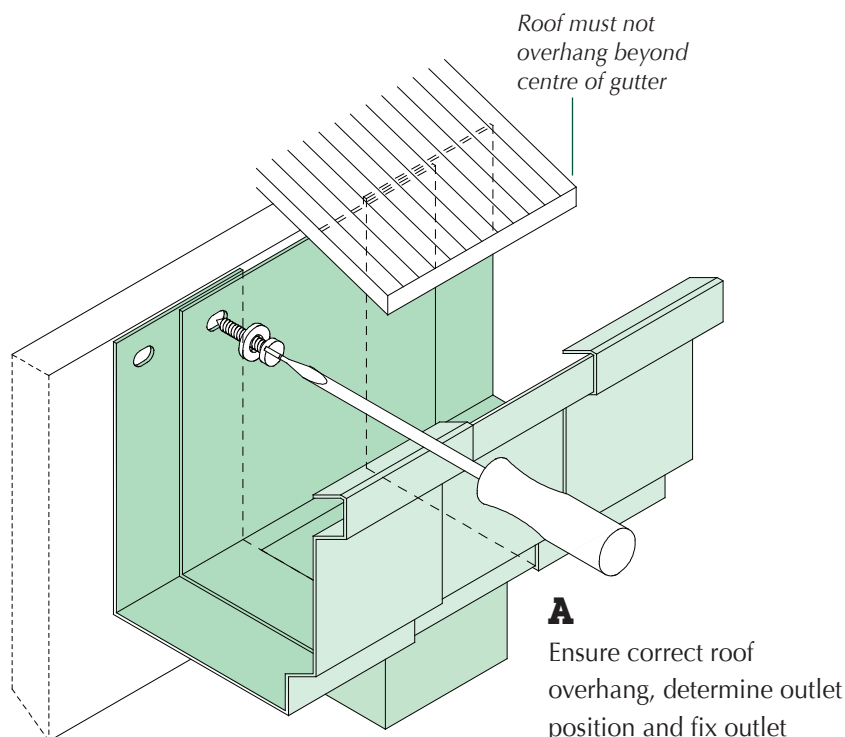
Having identified the correct jointing procedure for the gutter system the installation sequences for all Direct Fix Gutter Systems are very similar.

A) Commence installation at the outlet, placing as high as possible on the fascia. Ensure accurate positioning to align with ground drainage to avoid problems when installing downpipes later.

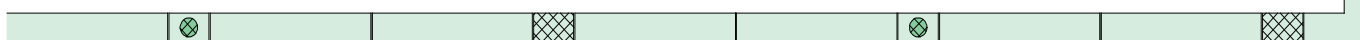
It is important at this stage to ensure that the roof covering does not overhang beyond the mid point of the gutter sole to avoid rain overshoot or "kettle spouting".

B) Installation then proceeds infilling between outlets or working towards the corner or stop end.

At the end of a run or at a centre position between outlets, measure gap deducting 5mm for each joint and cut the required piece from standard gutter length. Take care to accurately redrill the cut section to ensure correct joint width of 5mm to 8mm.



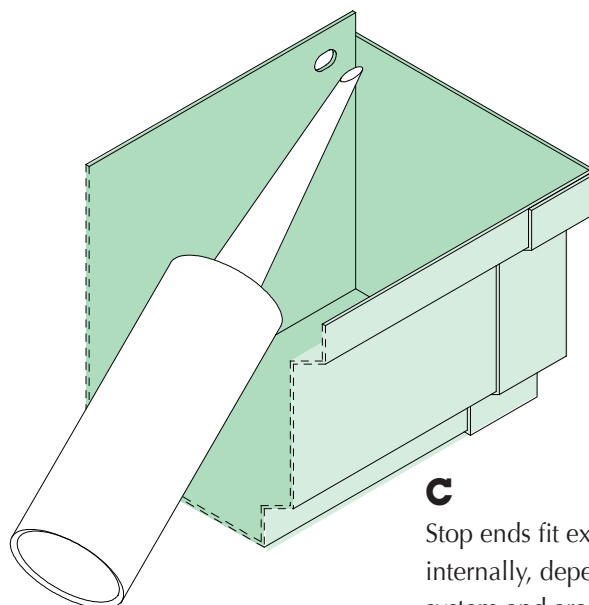
B Infill lengths between outlets and corners, with cut lengths at centres or ends of runs



C) Stop ends fit externally for external strap systems and should be assembled dry and sealed afterwards.

Stop ends fit internally for internal sleeve systems and should be assembled and sealed as previously described.

On completion of a run or at the end of the day's work, check neatness of installation and, if necessary, use touch up paint to repair any slight blemishes. Clean down with warm water and a mild detergent using a soft sponge or cloth. If you have any doubt whatsoever contact Bailey.



C Stop ends fit externally or internally, depending on system and are silicone sealed

BAILEY

