

## RAINWATER SYSTEMS DOWNPIPES

### DOWNPIPES

The following guidance covers four types of bracket details – cast eared sockets, loose brackets, flushfit pipes with concealed brackets (top or bottom fix) and security pipe fixings. The full range of downpipe components appears in the relevant data sheet.

#### HANDLING

Parts should be stored carefully, not stacked too high, and be kept in bubble wrap until required for installation. Bubble wrap should be used to protect products on site, especially when transporting or cutting. Profiles are potentially vulnerable to scratching or other damage when being moved on site and appropriate care must be taken.

#### PARTS

The Bailey Downpipes System consists of the following parts. Carefully identify each part so that you are familiar with it and its place in the system.

- Standard downpipe section
- Elbow
- Shoe
- Single branch
- Two piece offset
- One piece offset
- Rodding access
- Loose sockets
- Hopper head
- Pipe bracket
- Extension bracket
- Square to round adaptor

#### WORKING CONDITIONS

For good quality work, and to ensure the Health & Safety requirements are maintained, installation platforms should be set at the correct working height.

#### FIXINGS

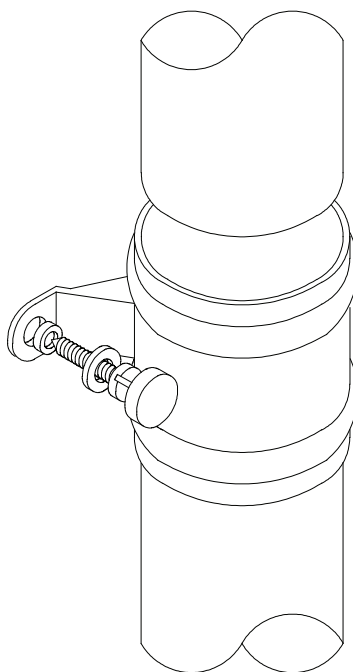
The use of correct fixings is important to prevent the possibility of bi-metallic corrosion.

## DOWNPIPES

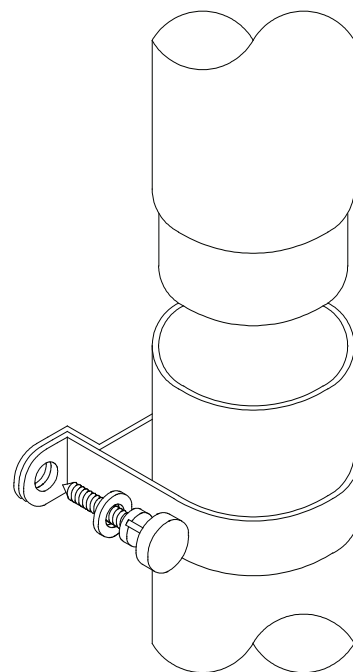
### GENERAL GUIDANCE FOR ASSEMBLY AND FIXING

## RAINWATER SYSTEMS DOWNPIPES

**A**  
CAST EARED SOCKET  
Plain end pipe



**B**  
LOOSE BRACKET  
Flush fit socket end pipe

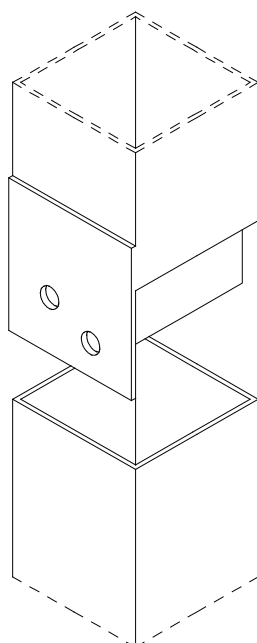


### INSTALLATION GUIDANCE

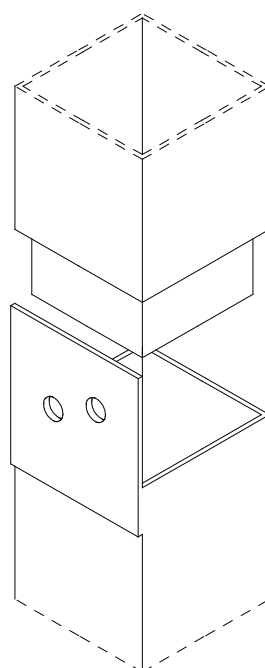
- 1) Bracket and fixing assembly for:
  - A) Traditional/ cast eared sockets
  - B) Flush fit/ loose bracket system
  - C, D) Concealed bracket on flush fit pipes, top or bottom fix
  - E) Security pipes

All screws are No 10 x 50mm countersunk stainless steel screwed into brown Rawlplugs placed in 7mm diameter holes. All visible fixings have

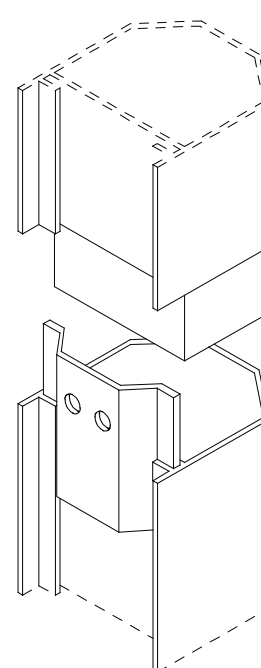
**C**  
CONCEALED BRACKET  
Flush fit pipe, bottom fixed



**D**  
CONCEALED BRACKET  
Flush fit pipe, top fixed

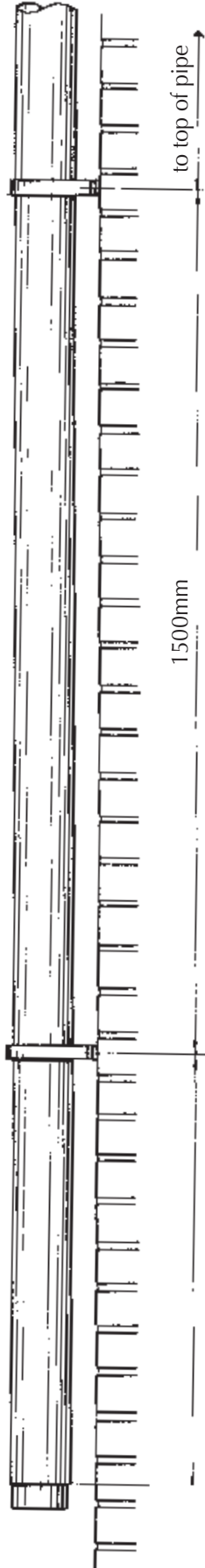


**E**  
SECRET BRACKET  
Flush fit hexagonal pipe

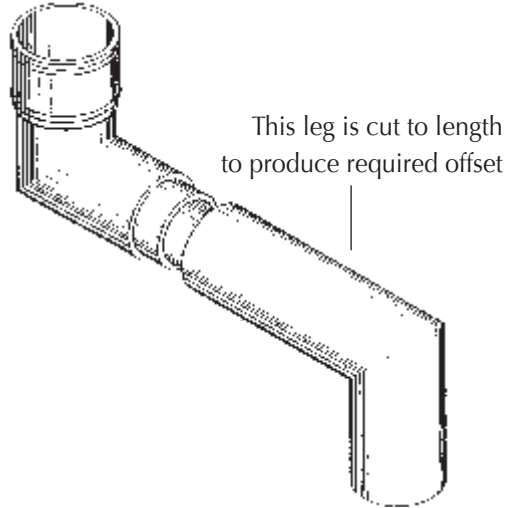


## RAINWATER SYSTEMS DOWNPIPES

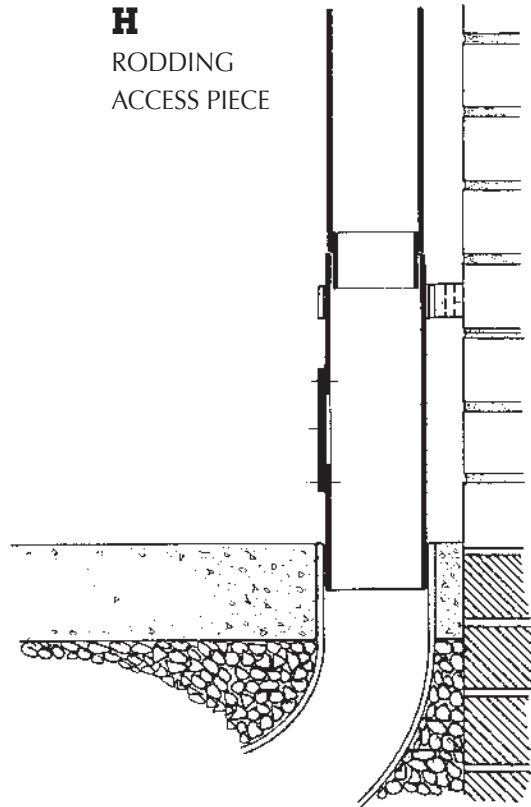
**F**  
LOOSE BRACKET POSITIONS



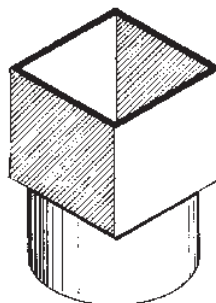
**G**  
TWO PIECE OFFSET ASSEMBLY



**H**  
RODDING  
ACCESS PIECE



**J**  
SQUARE  
TO ROUND  
ADAPTOR



2) Suggested bracket positions for loose bracket systems are shown at (F). Additional brackets may be required at changes in direction or at the base of downpipe drops.

3) Two piece offset assemblies (G) are designed to allow for on-site tolerance. Cut elbow to required length taking care to avoid scratching the coating. If necessary touch in cut edge with paint supplied. One piece offsets are also available, refer to data sheet.

4) Rodding access pieces (H) are normally installed as the lowest components at the bottom of the downpipe drop unless directed differently by site supervisor.

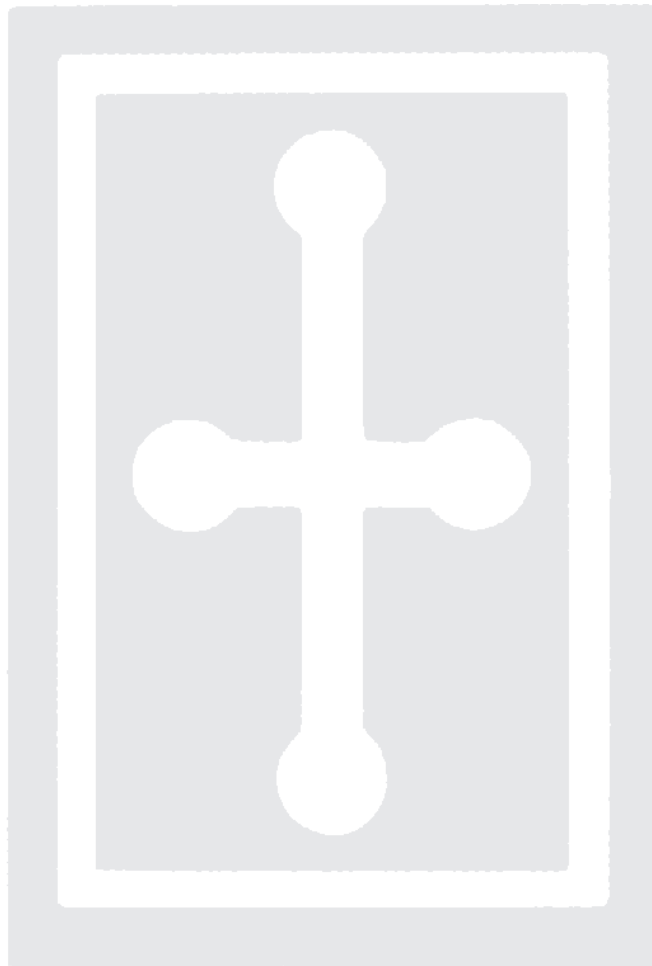
Ensure a minimum distance into the ground drain of 100mm.

If flush fit pipes with concealed fittings are being installed, a drain offset may be required.

Where square pipes are being installed, a square to round adaptor (J) may be required to fit into existing ground drains.

5) On completion of a run or at the end of the day's work, check neatness of installation and, if necessary, use touch up paint to repair any slight blemishes. Clean down with warm water and a mild detergent using a soft sponge or cloth. If you have any doubt whatsoever contact Bailey.

## RAINWATER SYSTEMS DOWNPIPES



**BAILEY**



**Bailey**  
Blatchford Close Horsham West Sussex RH13 5RF  
Phone **01403 261844**