

# BAILEY SYSTEMS FOR LARGE RETAIL CENTRES

CI/SfB July 2006  
(4-)  
L52



## BAILEY EAVES SYSTEMS HELP MEET THE EXPECTATIONS OF TODAY'S SHOPPERS AND ADD CONSUMER APPEAL TO LARGE RETAIL PARKS

As shopping becomes more readily acknowledged as a leisure activity, shoppers are demanding more from retail developments. With greater competition the design of large retail developments must increasingly recognise the need to make shopping pleasurable on several planes. The architectural excellence of a building is now recognised as an inherent part of the shopping experience, alongside choice, price and ease of access. The benefits of architectural form and detailing are now as appropriate to low cost elevations and rooflines as they are to prestigious signature projects.

Bailey Eaves Systems add shape, colour and detail that will encourage increased numbers of visitors and speedier occupation by tenants. When combined with Bailey Monsoon concealed gutters, which are fully integrated into the eaves and roofing envelope, contractors and owners can be confident that the centre's eaves and gutters will remain trouble free.



Greenwich Retail Park



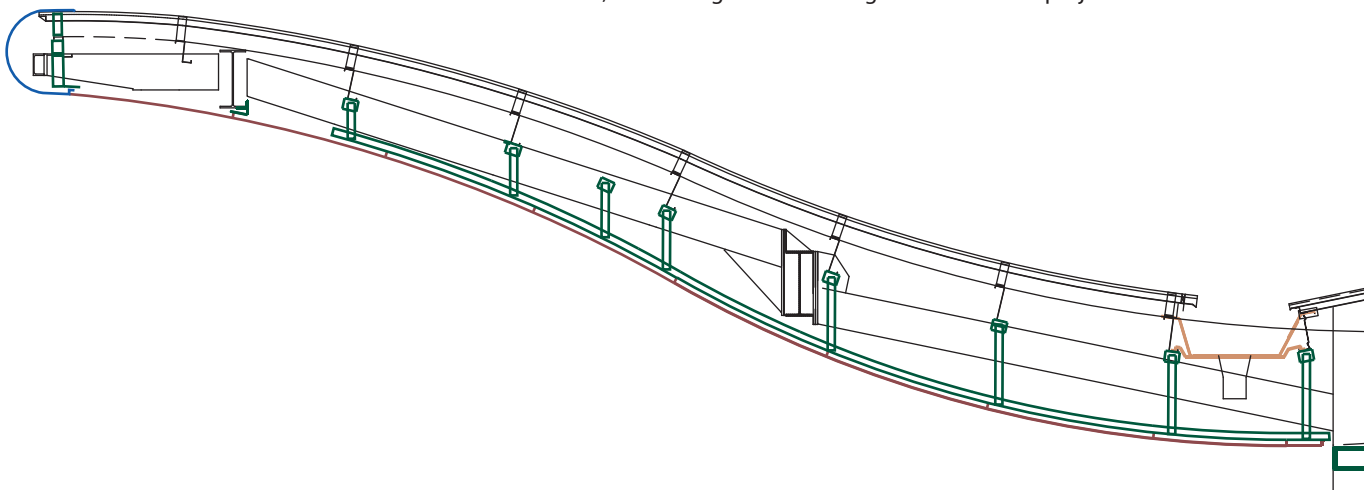
## CASTLE POINT BOURNEMOUTH

Bailey Eaves Systems provide an economic low maintenance combination of quality aesthetics and cost effectiveness appropriate to the volumes associated with large retail developments.

At this retail park Bailey Eaves Systems were used to create eaves with convex and concave curved soffits to the walkway canopies. This creates a softer, welcoming feel enhancing the

aesthetic appeal of the elevations and providing practical protection from the elements as shoppers move from store to store.

This project used over 1000 metres of Bailey Eaves Systems. The long life, low maintenance characteristics of Bailey products make them extremely cost effective solutions to highly visible and often inaccessible areas within projects like these.





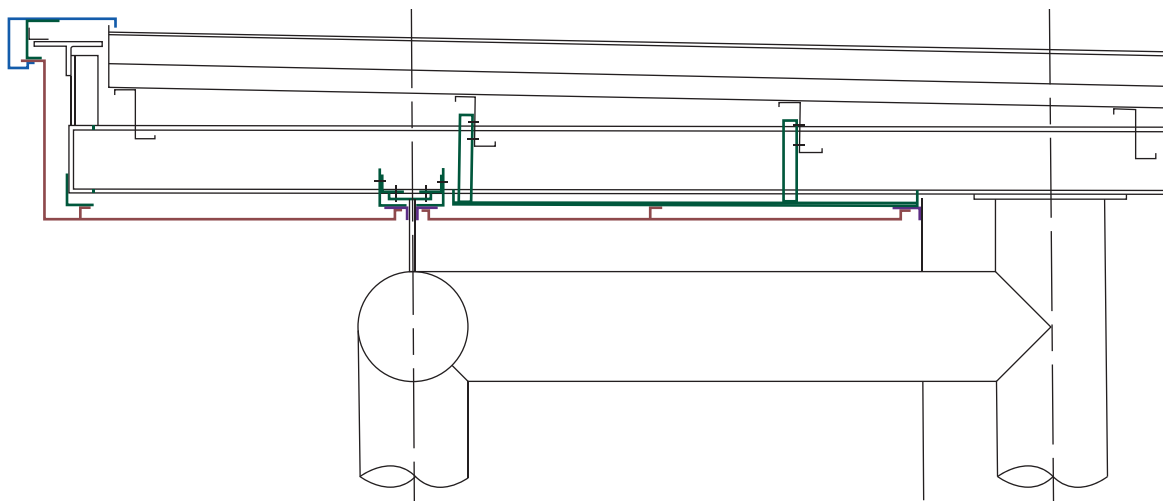


## FOOD CHAIN SUPERSTORE

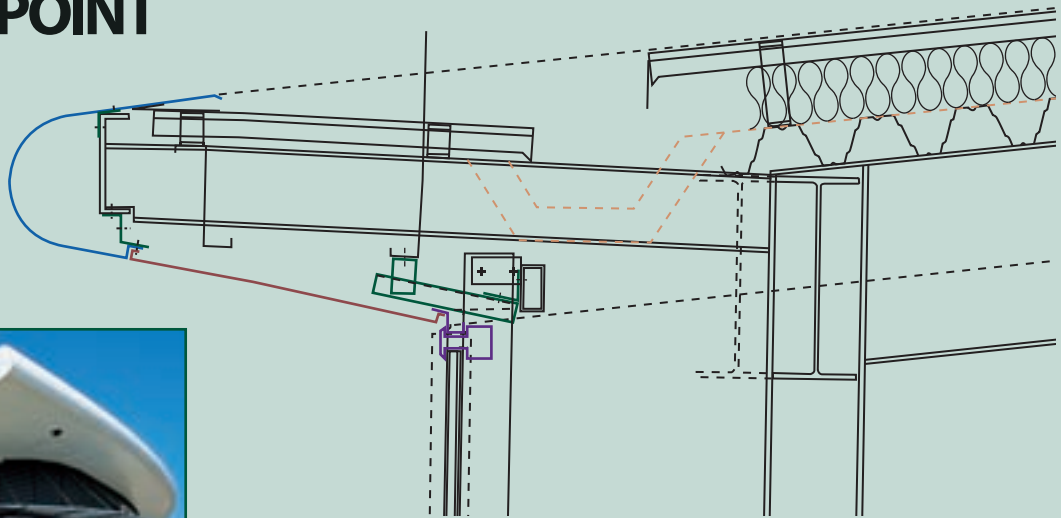
Bailey Eaves Systems are proven to be well suited to large retail developments. In such applications they enhance and upgrade what might otherwise be perceived by shoppers as large, space efficient warehousing. Using Bailey systems means that extensive areas of soffit can be created without rippling or bowing, resulting in a crisp even appearance throughout. Bailey

features provide a means of adding diversity so as to differentiate a retail project from its rivals and increase its desirability and public appeal.

For this large supermarket Bailey Systems are used to evoke feelings of structural integrity as well as providing interest at the eaves to create one of the principal points by which customers recognise the building.



## RESTAURANT CASTLEPOINT



This restaurant shows how a Bailey Cassette Eaves System bullnose fascia has been curved in plan combined with a sloping soffit. The soffit

incorporates discreet access panels for maintenance. The feature verge was also created using components from the Bailey Cassette Eaves System.

## BAILEY AND THE ENVIRONMENT

### Sustainability

It is pressure from clients that is driving the need to use sustainable materials in construction projects. Bailey architectural features are manufactured from aluminium, the third most common element on earth.

Sustainable development requires that a project make as little impact on the environment as possible. Bailey aluminium features require little maintenance and aluminium can be repeatedly recycled. An aluminium architectural feature can be 100% recycled into an extrusion billet and a new feature extruded.

### Environmental impact

The environmental impact of a project is no longer merely concerned with aesthetic and planning considerations, the products and materials specified within a project are under increasing

scrutiny. Run off water from aluminium is non-toxic and can be safely collected for use in fish ponds, watering the garden and so on.

There are no known health risks related to the use of Bailey eaves and soffit systems.

### Coatings

Bailey's own coating plant supplies high quality robust architectural finishes in over 220 RAL and BS colours. Super durable polyester powder finishes are also available.

### Further Information

There are product datasheets available for each eaves and rainwater system as well as Bailey's comprehensive technical handbook.

**BAILEY EAVES SYSTEMS  
BLATCHFORD CLOSE  
HORSHAM  
WEST SUSSEX  
RH13 5RF**

**T +44 (0) 1403 261844  
F +44 (0) 1403 264823**