

## SECURIGUARD Roller Shutters

**B**olton Gate has been manufacturing high quality Roller Shutters for over 60 years and is renowned for its technical solutions and wide range of designs to suit all openings. A new range of shutters – Securiguard has been developed to meet the demands of window/door protection on commercial and domestic premises.

Manufactured from high quality extruded aluminium sections, the shutters are powder coated white as standard and are electrically operated by tubular motor with a variety of controls available.



### **STANDARD SPECIFICATION**

#### **Curtain**

The shutter curtain is constructed from continuously interlocked twin wall extruded aluminium laths securely held in place by endlocks thus preventing any lateral movement. The standard lath is 41mm high x 8mm thick with other profiles available included punched and glazed versions.

#### **Bottom Rail**

The purpose made bottom rail is formed from a flat aluminium extruded section 51mm high with a rubber bottom seal.

#### **Side Guides**

The side guides are made from a reinforced aluminium channel 53mm wide x 22mm deep and are fitted with twin brush seals which make close contact with the curtain. The guides also incorporate an integral box section to allow concealed fixings whether side or face fixed.

#### **Roller**

The roller is octagonal and manufactured from galvanized steel of adequate cross section and wall thickness to prevent deflection. Integral end shafts are fitted to engage into the die cast aluminium endplates which support the shutter. Security tabs are fitted as standard to the roller to prevent the shutter being manually raised by unauthorized personnel.

#### **Casing**

The coiled up shutter is housed in an attractive and compact head casing which is 165mm to 300mm square dependent on opening sizes. It is supplied as a two-piece assembly and is fitted together on site using a lockseam type joint thus avoiding any visible fixings.

### **ELECTRICAL OPERATION**

The shutter is driven by a single phase tubular motor mounted inside the roller and is operated by a low level rocker switch. A further range of controls is available including keyswitches and remote controls by hand transmitter. All shutters with standard controls are pre-wired in our factory avoiding the expense of an electrician on site and merely require a 13 amp 3 pin socket at high level within 300mm of the motor.

### **SPEED OF OPERATION**

Approximately 75mm per second.

### **MAXIMUM SIZES**

4 metres wide x 3 metres high

### **FINISH**

All visible components are finished in a high quality white powder coating as standard, other RAL or BS colours are available at extra cost.

### **WEIGHT**

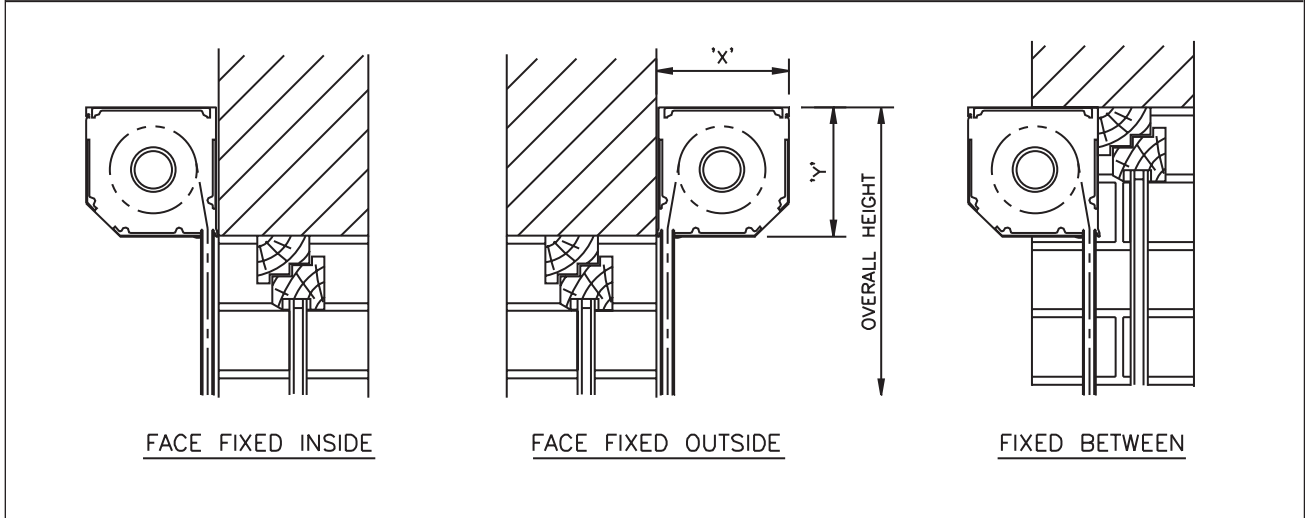
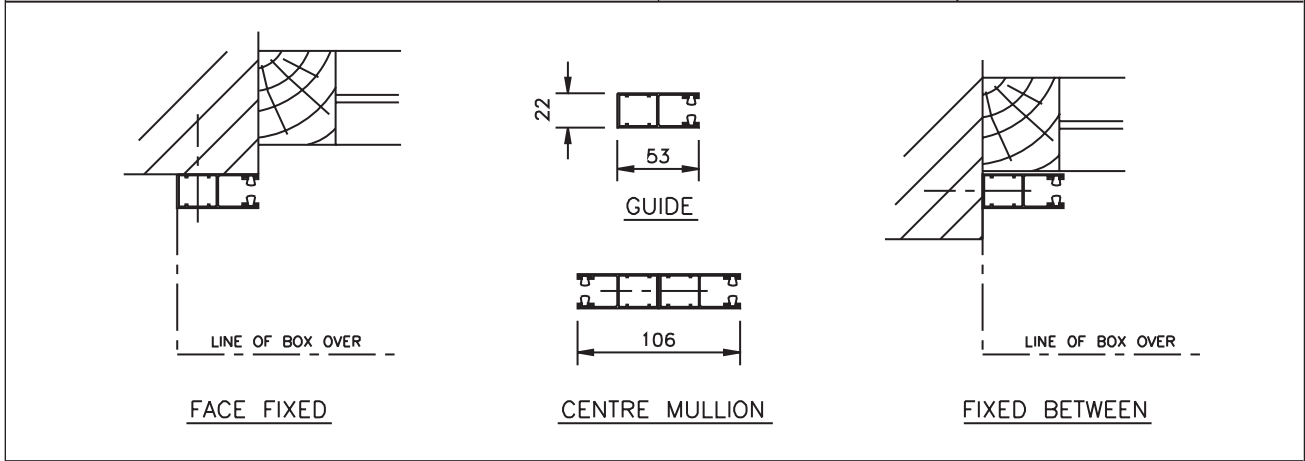
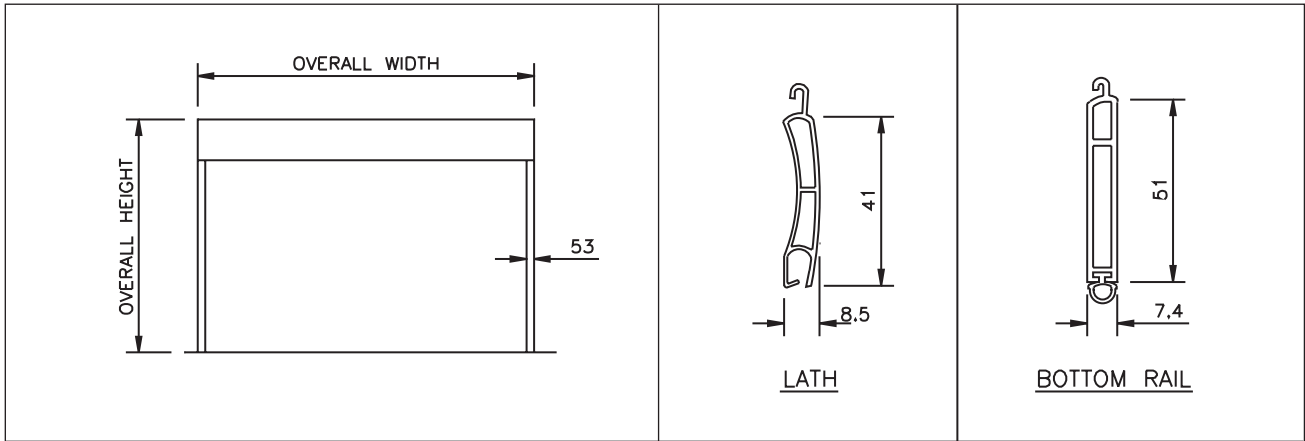
Approximately 15 kgs per m<sup>2</sup>.

### **OPTIONS**

- Remote control via hand transmitters
- Group controllers
- Safety photocells
- Polyester powder coating in arrange of standard colours
- Perforated laths

# SECURIGUARD

## Roller Shutters



MAX. OVERALL HEIGHT	'X'	'Y'
1500	165	167
2500	205	207
3400	250	255
4000	300	306

ALL DIMENSIONS IN mm