

SONAFOLD

Top Hung Acoustic Folding Doors

The Sonafold insulated folding door is ideally suited to the closure of internal or external openings where a reduction in noise transmission is required. Its flat faced robust construction renders it capable of withstanding severe wind conditions whilst maintaining a high aesthetic appearance. They have been provided on many power stations worldwide where they enhance the acoustic envelope of buildings such as turbine halls.

STANDARD SPECIFICATION

Panels

The door panels are constructed from rolled steel hollow sections with 2mm thick flat galvanised steel facing sheets on both sides. The panels are infilled with a high density insulation material and have an overall thickness of 64mm.

Tracks

The door panels are top hung on four wheel bearing hangers which incorporate the panel hinges and run in a galvanised top track. An auxiliary top track is attached to allow the panels to fold correctly. Brass rollers connected to the bottom hinges run in a steel channel bottom track, which is set for alignment within a 200mm x 100mm chase before final grouting into position.

Door Arrangements

The doors are normally face fixed to the inside of the opening but can be arranged to mount directly between jambs. They can be supplied as a single door (bunching to one side) or bi parting.

Acoustic Properties

When independently tested at Salford University, the door achieved a weighted sound reduction index R_w of 28dB.

Thermal Insulation

The door panels provide a "u" value of 0.47 w/m²/deg.C.

Wind Resistance

The doors have been tested for wind resistance and can be upgraded to meet typhoon and hurricane loadings.

OPERATION

The doors are electrically operated as standard via a totally enclosed 3 phase motor gearbox mounted on the top track with



open/close/stop push buttons adjacent to the opening at the bunch side. Disconnection for emergency manual operation is provided at low level at the motor side. Safety edges are fitted as standard to the leading edges.

FINISH

The majority of parts are galvanised with other components prime painted. Polyester powder coating to a range of standard colours is an optional extra.

MAXIMUM SIZES

Singles: 12 metres wide x 8 metres high

Pairs: 24 metres wide x 8 metres high

SPEED OF OPERATION

Approximately 200mm per second per door leaf.

WEIGHT

Approximately 50 kgs per m².

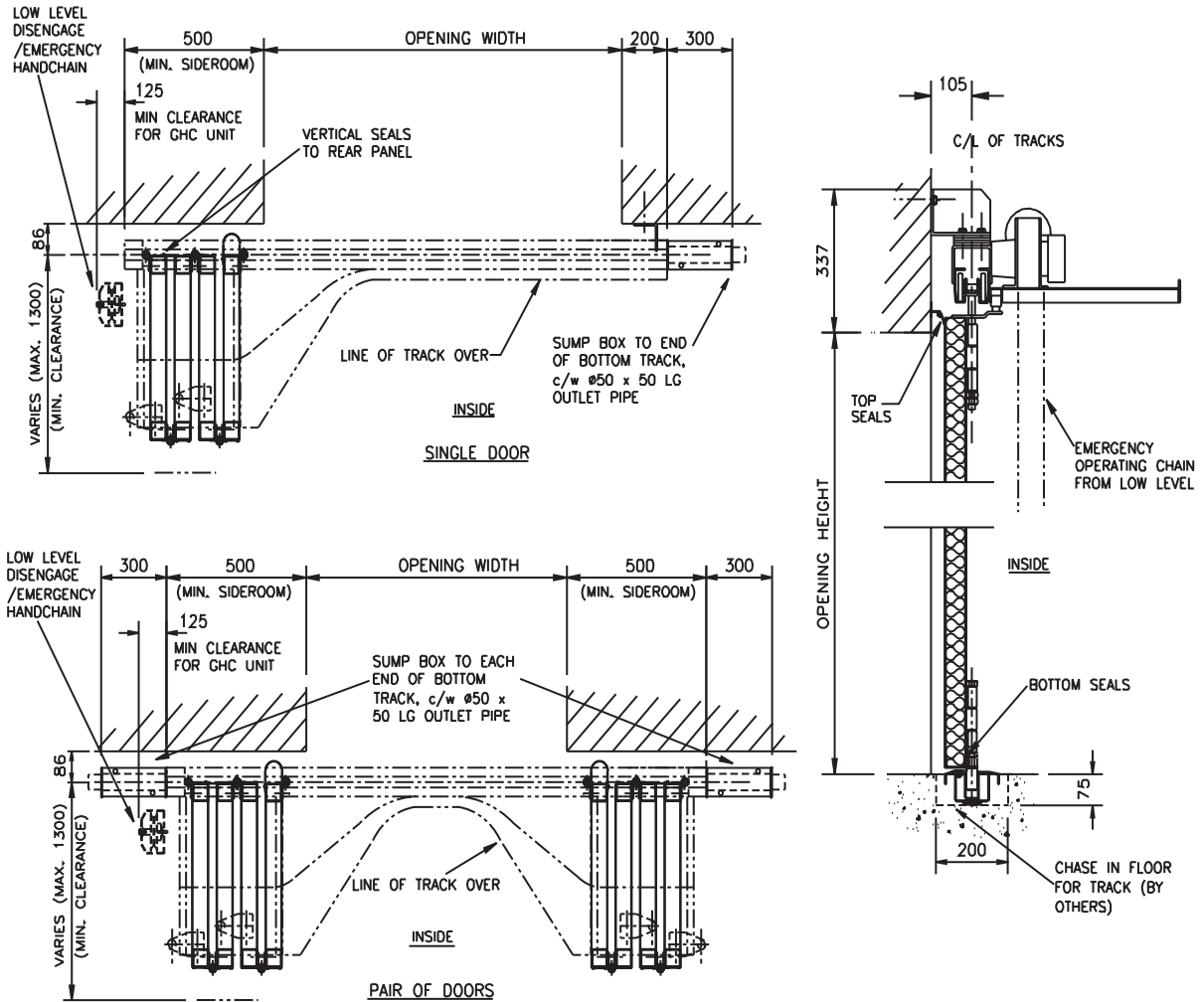
OPTIONS

- Wicket doors with cylinder lock.
- Polyester powder coating in a range of standard colours
- A variety of controls.
- Safety photocells



SONAFOLD

Top Hung Acoustic Folding Doors



OPENING WIDTH SINGLE DOORS	No OF PANELS	MIN. SIDEROOM	OPENING WIDTH PAIRS OF DOORS	No OF PANELS	MIN. SIDEROOM
UP TO 2400	2	500	UP TO 4800	2 EACH HALF	500
2401 TO 4800	4	500	4801 TO 9600	4 EACH HALF	500
4801 TO 7200	6	640	9601 TO 14400	6 EACH HALF	640
7201 TO 9600	8	780	14401 TO 19200	8 EACH HALF	780
9601 TO 12000	10	920	19201 TO 24000	10 EACH HALF	920

ALL DIMENSIONS IN MILLIMETRES