

## **SUPERFOLD 4000 & 5000** Top Hung High Security Insulated Folding Doors

**S**uperfold 4000 & 5000 insulated folding doors have been specially designed and tested to meet the requirements of high security installations whilst maintaining the high aesthetic appearance and thermal properties of our high quality range of insulated folding doors. The door has been independently tested by the Loss Prevention Council to LPS1175 (Specification for testing and classifying the burglary resistance of building components, strongpoints and security) and has received approval to grades 4 and 5 – the first folding door to be approved.

This approval confirms that the Superfold 4000 doorset will survive an experienced attempt at a forced entry using portable tools while the Superfold 5000 will survive professional attempts at forced entry with a combination of mechanical and mains powered tools as specified in the Standard.

### **STANDARD SPECIFICATION**

#### **Panels**

The door panels are constructed from internal steel channel sections forming a strong inner framework with 3mm flat galvanised steel facing sheets fixed to both sides. The panels are in-filled with a high density insulation and reinforcing material and have an overall thickness of 56mm. Each panel is fitted with high quality EPDM sections forming a tight weather seat between panels and around the perimeter of the door.

#### **Hinges/Guide Pins**

The panels are joined together with continuous stainless steel hinges with concealed fixings into the reinforced edges of the panels and the bottom hinges incorporate plated rollers to run in the bottom track.

#### **Tracks**

The door panels are top hung on four wheel bearing hangers which incorporate the panel hinges and run in a galvanised top track. An auxiliary top track is attached to allow the panels to fold correctly.

A steel channel bottom track is provided and set for alignment within a 210 x 75mm chase before final grouting into position. The unique profile of the bottom track both assists weather sealing whilst providing the necessary level threshold thus allowing the bottom gap to be maintained within the tested dimension. A sumpbox for drainage and dirt clearance purposes is provided as standard.

#### **Door arrangements**

The doors are face fixed to the inside of the steelwork opening and are always supplied as a single door (bunching to one side). The door can be left or right handed.

#### **Locking**

The leading edge of the door is locked into position by means



of 2 no. Chubb 7009 padbar and staples to suit the client's padlocks.

#### **OPERATION**

The doors are electrically operated as standard using a totally enclosed 400 volt 3 phase motor gearbox mounted on the top track with open/close/stop push buttons adjacent to the opening at the bunch side. Emergency hand chain operation with low level engagement is provided adjacent to the motor.

#### **MAXIMUM SIZES**

8 metres wide x 4 metres high

#### **FINISH**

The majority of parts are galvanised with other components prime painted. Polyester powder coating to a range of standard colours is an optional extra.

#### **WEIGHT**

Approximately 90 kgs per m<sup>2</sup>.

#### **OPTIONS**

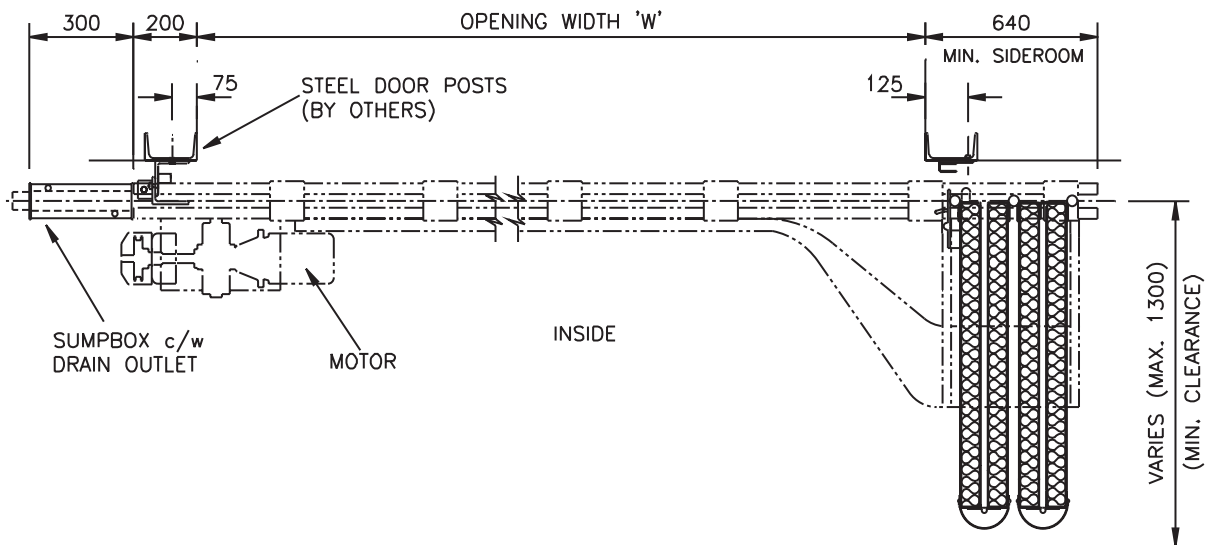
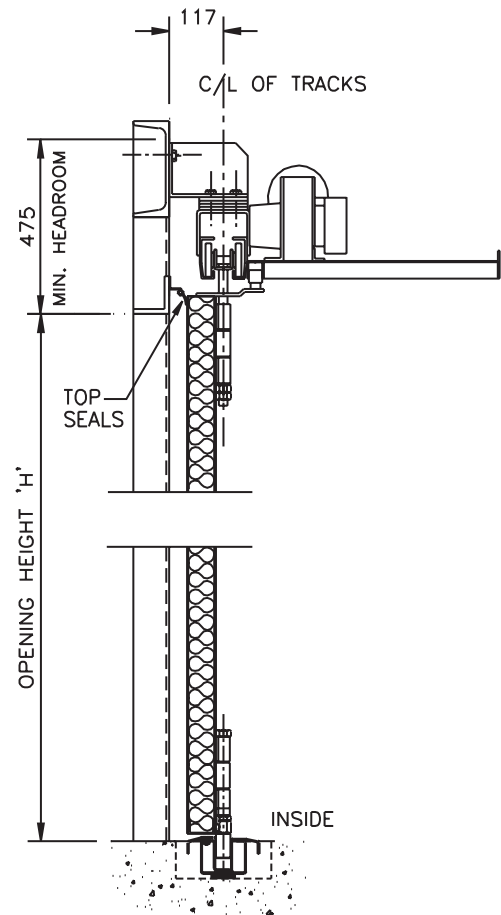
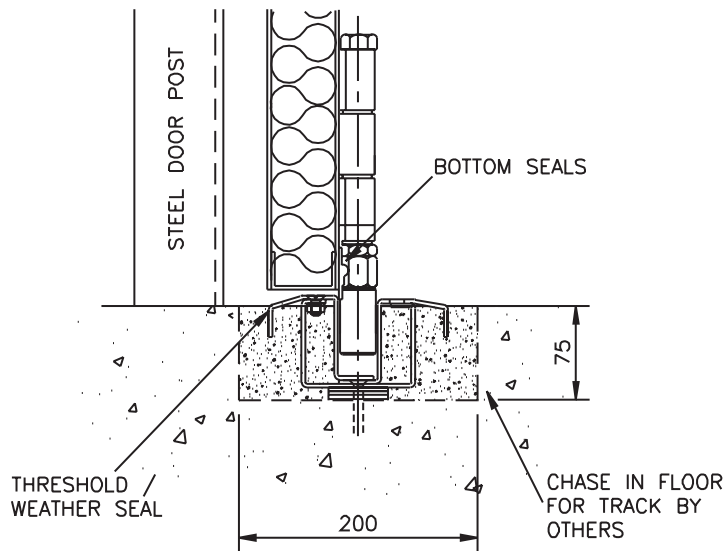
- Door panel upgrade to achieve a G2 ballistic rating
- Polyester powder coating in a range of standard colours
- A variety of controls
- Safety photocells
- Status indication



# SUPERFOLD 4000 & 5000

## Top Hung High Security Insulated Folding Doors

OPENING WIDTH 'W'	No OF PANELS	MIN. SIDEROOM
UP TO 4650	4	640
4651 TO 7000	6	880
7001 TO 8000	8	1120



ALL DIMENSIONS IN MILLIMETRES