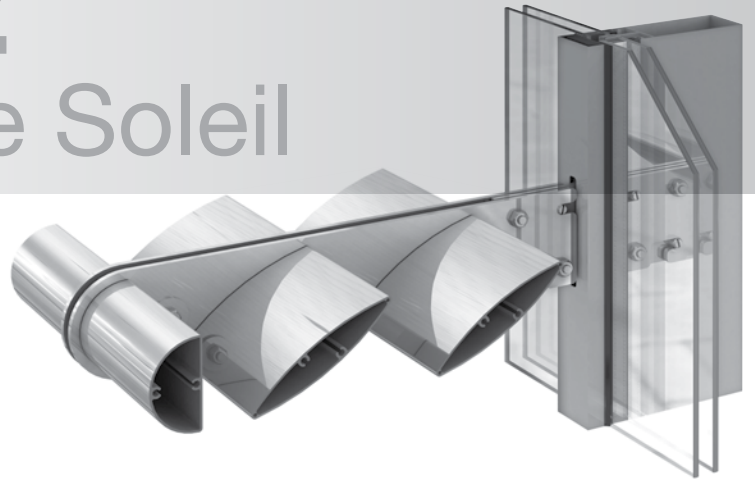


System 22

Aluminium Brise Soleil

The Metal Technology Aluminium Brise Soleil System offers the specifier practical solar control options with attractive and clean lines that would enhance any type of office or commercial facade. This easy to erect system can be fitted directly to the building structure or be integrated into the Metal Technology Curtain walling system.



Specification Overview

Introduction

The basic suite has 150mm and 200mm aerofoil blades to allow the Brise Soleil to suit most architectural requirements. They can be fitted either directly onto the structure or onto Metal Technology curtain walling system 17.

Various other profiles can be designed and incorporated allowing architects to achieve flexible designs.

As with all Metal Technology Systems, the Aluminium Brise Soleil System is manufactured to exacting standards enabling economy to be combined with strength to give many years of trouble free operation.

Scope

Brise Soleil can be supplied in both horizontal and vertical applications and can be fixed to either brick work or curtain walling.

Materials

The aluminium profiles are extruded from aluminum alloy 6060T6, T5 or T4 complying with the recommendations of BS EN 12020-2 / BS EN 755-Parts 1 to 9.

Finishes

The range of sections can be provided in either of the following ranges of finishes:

1. Anodised to BS 1615 or BS 3987
2. Powder organic coated to BS 6496 or BS EN 12206-1

Construction

The Brise Soleil blade is square cut and fixed securely to the outriggers with stainless steel screws.

Brackets are pre-fixed to the curtain walling or building structure before the Brise Soleil arrays are hooked onto pre-positioned pins on the fixing brackets.

Horizontal or vertical Brise Soleil is then securely bolted into position.

Standard fixing brackets make the application of Brise Soleil a simple and trouble free operation.

Structural

Brise Soleil Blades are designed for a maximum deflection of span/100.

Installation

Detailed installation instructions are provided which should be strictly followed.

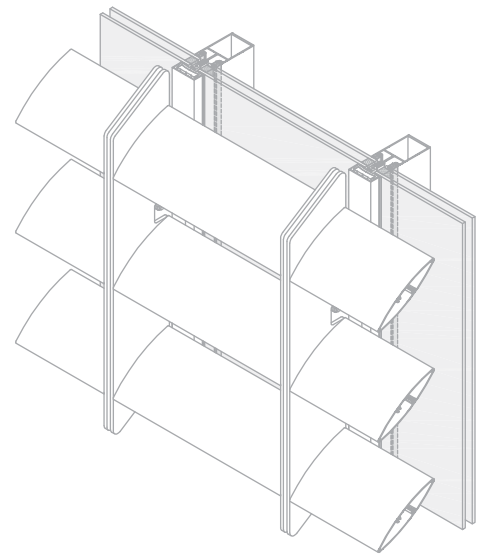
Size Limits

For the cantilevered Brise Soleil system, loading graphs are provided in this manual, which should be strictly followed. Horizontal spans up to 1550mm can be achieved.

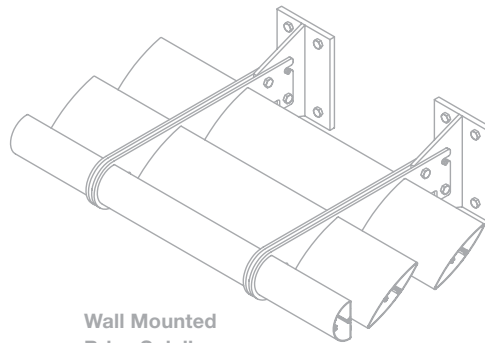
For the propped and vertical Brise Soleil, the main limit on the design will be the blade length. Graphs are again provided for the design of these which should be followed.

Development

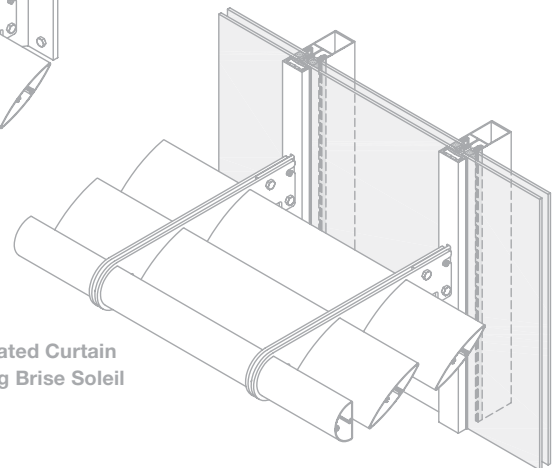
Our policy is to continually research the market for new and improved products. We must therefore retain the right to amend specifications without prior notice. It is recognised at Metal Technology that in some instances special sections may be required for particular projects. When this occurs it may be possible to produce bespoke sections subject to there being sufficient quantity and adequate time.



Integral Vertical Curtain Walling Brise Soleil



Wall Mounted Brise Soleil



Integrated Curtain Walling Brise Soleil