



www.buzonuk.com

The BC pedestal

The BC range

The BC polypropylene pedestal is hard-wearing like all Buzon® products, but this one is really the designer's best friend. The Buzon® BC pedestal has an adjustable height range of 28-1130 mm with optional slope correction.

Thanks to the fully independent tabs which can be fixed or pivoted your design creativity will be given free rein. The BC polypropylene pedestal is suited to a range of slab dimensions with varying joint spacings allowing them to be used with non-standard paving slabs. The BC pedestal is recommended for raised industrial floors and water features thanks to its strength and locking keys, which stop any rotation in either direction securing the pedestal at the specified height.

COMPOSITION

1 TOP OF THE PEDESTAL

The top of the pedestal is screwed directly onto the base, or onto the couplers. The top has a diameter of 145 mm and a surface area of 165 cm². It can be fitted with various accessories to support complex shaped tiles (square, rectangular, triangular, hexagonal, round...) and different applications like stone pavers, timber decking, industrial gratings...

2 INVERTER

The inverter allows easy and precise adjustment of the height of the pedestal under tile.

3 COUPLERS

Couplers are used to extend the height over 215mm. Two wire hooks on the sides allow for the pedestals to be tied to each other, guaranteeing greater stability.

4 BASE

The base can be simply positioned or fixed to any compatible substrate. The head, the inverter, the couplers and the base are equipped with a safety interlocking system. Base diameter 200 mm, surface area 314 cm².

5 SLOPE CORRECTOR (0-5%)

The U-PH5 slope corrector is placed underneath the pedestal, ensuring the pedestal is completely vertical and will stay well balanced even at the highest height. It can compensate for a slope from 0 to 5% in 0.5% increments.

6 LOCKING KEYS

The keys lock the pedestal at the required height.



ACCESSORIE

BC TABS

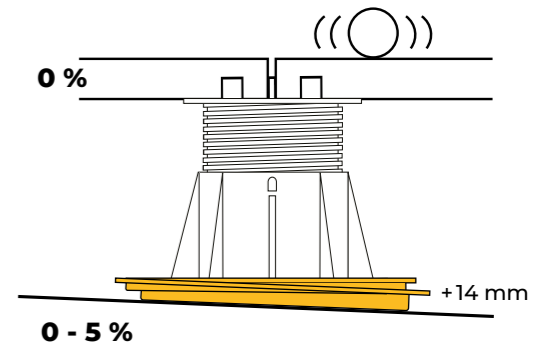
The BC Series adopts a new method of spacer tabs to separate pavers, inspiring creative architecture with unlimited possibilities.

The rectangular or circular spacer tabs are fixed to the head of the pedestal. They offer a 360° rotation so the space between pavers matches perfectly.



Slope corrector U-PH5

The U-PH5 slope corrector is an adjustable unit which is placed under the base of the BC pedestals. It corrects slopes of 0 to 5% at 0.5% intervals, creating a perfectly level terrace.



NEW

Pedestals without slope corrector



Pedestals with the possibility to attach PH5 slope corrector on top (BC-0 > BC-12)

+9 mm ⓘ

With the PH5 slope corrector, the additional height is 9 mm.



Pedestals with the possibility to attach U-PH5 slope corrector on the base (BC-02 > BC-12)

+14 mm ⓘ

With the U-PH5 slope corrector, the additional height is 14 mm.



Fixed Adjustable



INVERTER

COUPLER

BC-C4 Inverter

The height adjuster BC-C4 is located directly underneath the head of the pedestal and allows a precise height adjustment even when the tiles have been installed, significantly reducing installation time even at the higher heights. Significant savings in costs of labour can be achieved as a result.



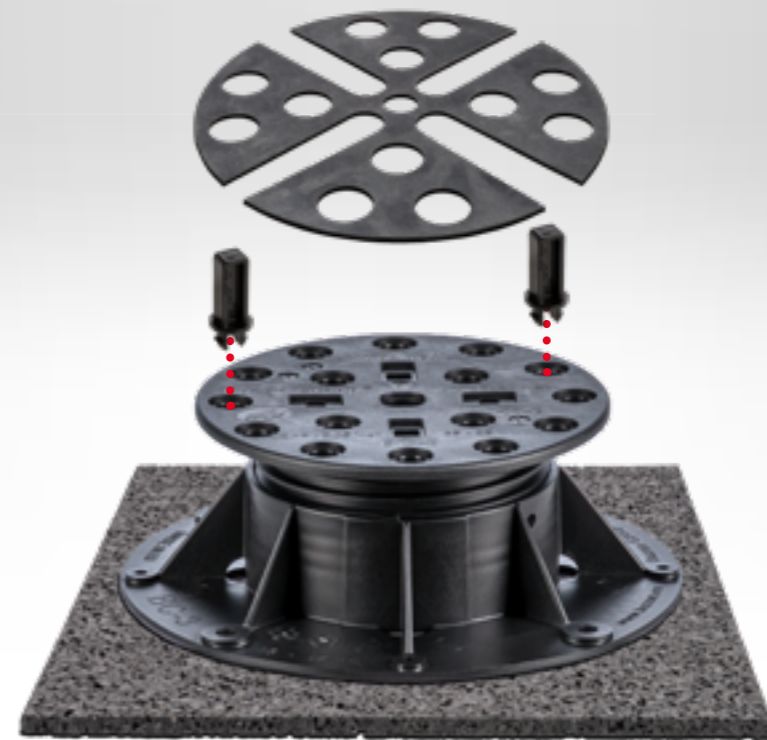
BC-C4



BC-C3

BC-C3 Coupler

The coupler BC-C3 is fitted by screwing between the base and the head of the pedestal to make the taller pedestals in the BC range. With additional couplers pedestals can reach a height of 1130mm.



U-PAD



BSW Regupol:
Acoustic Insulation up to 37dB.

Spacer tabs

Spacer tabs are available in various thicknesses : 2mm, 3mm, 4.5mm, 6mm, 8mm and 10mm, and provide uniform alignment of the pavers, placed on top of the Buzon® pedestal.

Circular tabs

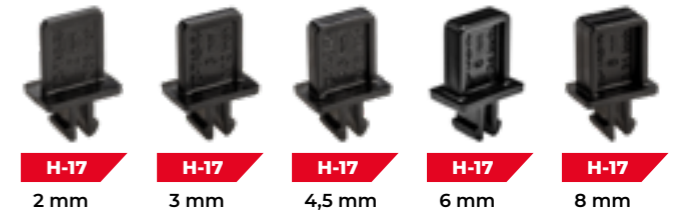


H-17
2 mm 3 mm 4,5 mm 6 mm 8 mm

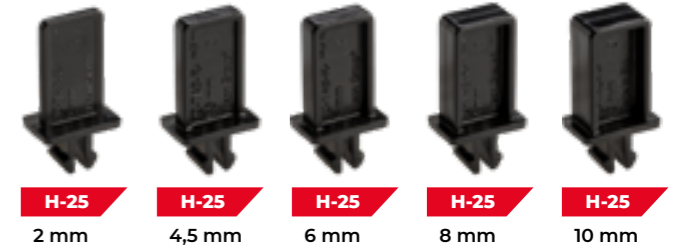


H-25
2 mm 4,5 mm 6 mm 8 mm 10 mm

Rectangular tabs



H-17
2 mm 3 mm 4,5 mm 6 mm 8 mm



H-25
2 mm 4,5 mm 6 mm 8 mm 10 mm

Shims

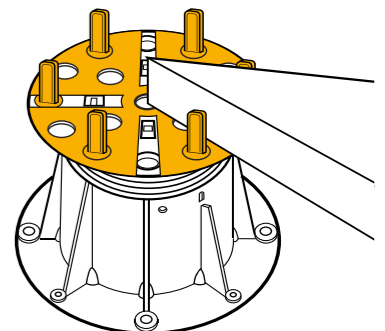
The shim (U-E10 or U-E20) is a 1 or 2 mm maltase-cross shaped leveller. It stabilises the paver, provides additional acoustic comfort, and compensates for variations in paver thickness.



U-E10
1 mm



U-E20
2 mm





Batten Holder

The support for joists is fixed in place using our plug-in system on Buzon® pedestals in the BC range. They firmly hold the joists supporting the deck boards. The adjustment guides allow the positioning of timber battens at different angles.



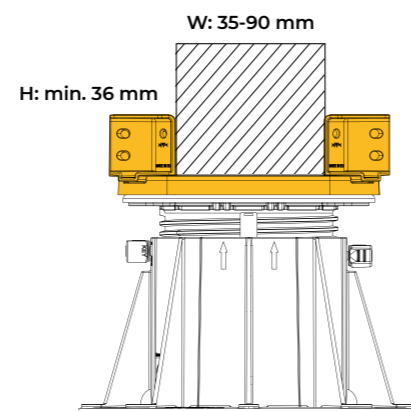
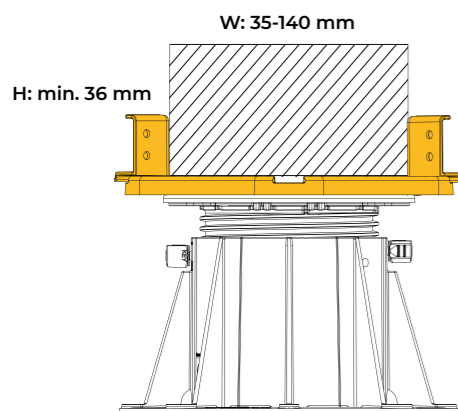
BC-KIT-1

Use with 2 guides



BC-KIT-1

Use with 3 guides



- **ALLOWS FOR COMPLETE DRAINAGE**
- **QUICK AND EASY INSTALLATION**
- **HIGH STABILITY THANKS TO A LARGE PEDESTAL HEAD**
- **EASY AND PRECISE SLOPE CORRECTION UP TO 5%**
- **DOES NOT HARM WATERPROOF MEMBRANE**
- **EASY ACCESS TO WATERPROOFING MEMBRANE**
- **BETTER THERMAL AND SOUND INSULATION**
- **PROVIDES A SUSTAINABLE SOLUTION**
- **SUPPORTS LARGE LOADS**
- **ABILITY TO CONCEAL SERVICES SUCH AS ELECTRICAL, PLUMBING ETC.**

Advantages of the pedestals



01



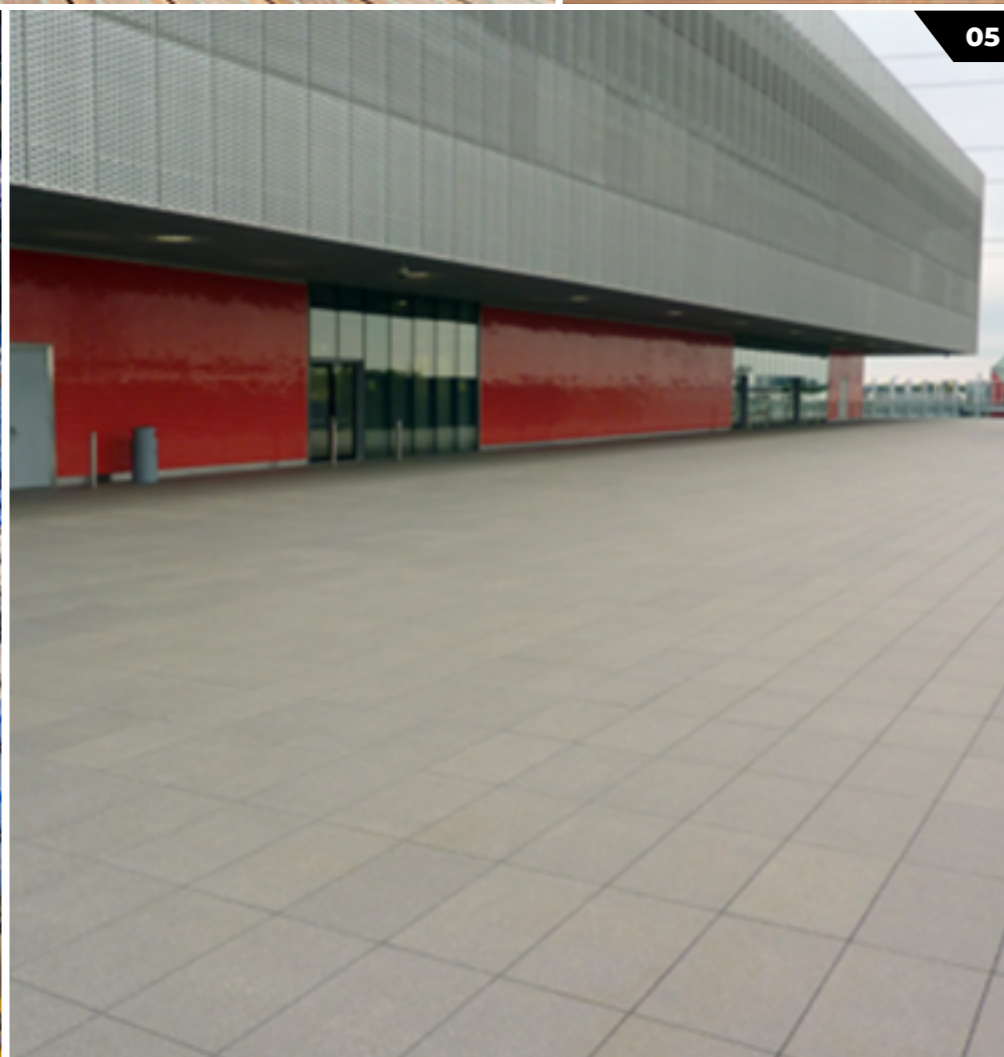
02



03



04



05

- 1, Porcelain Pavers**
245 Hammersmith, London
- 2, Hardwood Timber**
33 King William Street,
London
- 3, GRAD Deck & Rail System**
Cannon Street, London
- 4, EBEMA Concrete Pavers**
Chelsea Football Club,
London
- 5, Porcelain Pavers**
ExCel Centre, London

Range of applications



043-055-1351
Made From Min. 50%
Recycled Content



SGBP 2017-814



Tel: + 44 (0)20 8614 0874
sales@buzonuk.com
www.buzonuk.com

