



jaga

INSTALLATION INTO A WALL RECESS

Energy
SAVERS
LOW-H₂O

BROCHURE £ UK 2013





Energy
SAVERS
LOW-H₂O

INSTALLATION IN A WALL RECESS

Heating comfort for
minimalist design.

- The perfect built-in solution without sacrificing heating capacity.
- Space-saving.
- Low-H₂O technology with super conductive and ultra fast heat exchanger for low energy consumption and maximum heat emission.
- Twin Power for better compensation of the downward cold air flow next to glazed façades or ventilation grilles.
- DBE model for super-low water temperatures from 28°C.
- **A 30 year guarantee** on the heat exchanger.

DBE option for high output from compact sizes at super-low temperatures from 28°C. ▶

EXAMPLE BUILT-IN WALL (front cover not included)



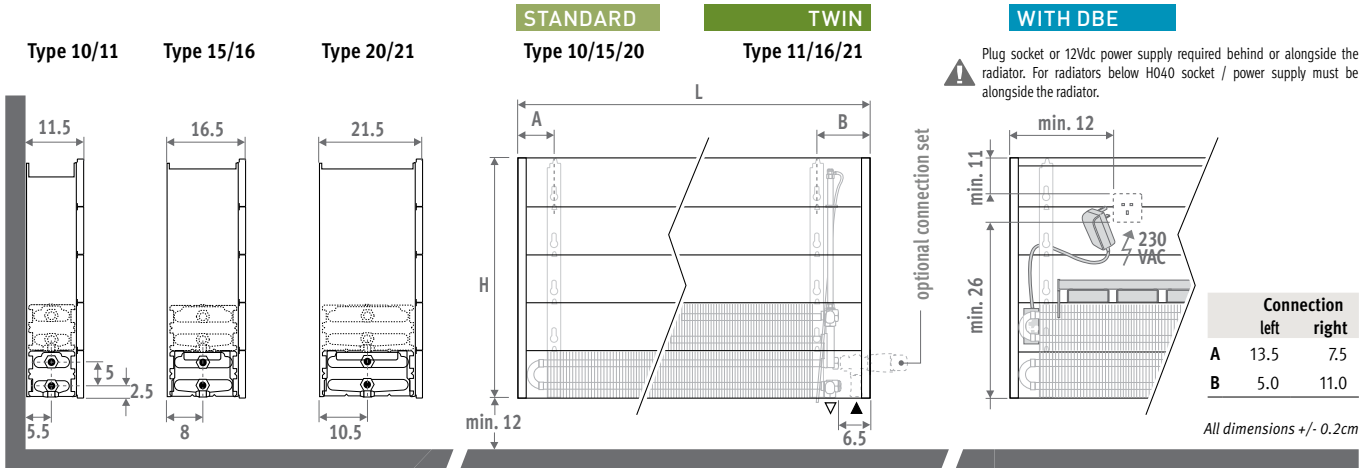


INSTALLATION IN A WALL RECESS

INSTALLATION IN A WALL RECESS



DIMENSIONS (in cm)



DELIVERY

Light and easily installed by one person. Delivered flat packed in 2 packages for ease of handling and storage.

Standard delivery:

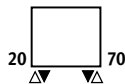
- Low-H₂O heat exchanger with wall brackets and fixing kit
- air vent elbow (standard) or extended air vent (twin) 1/8" and drain plug 1/2"
- separation wall dark grey lacquered (not suitable as finished casing)

Delivery with DBE:

- number of DBE unit(s) varies according to the length
- operation, control and power supply 12VDC
- mounting instructions
- packed with the radiator

CONNECTION

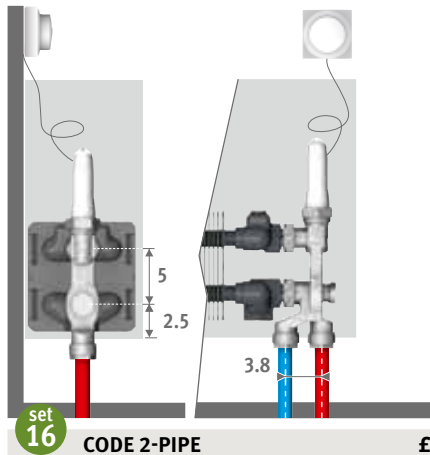
Standard connection
bottom end left or right



CONNECTION SETS

Example to the floor, with remote controlled thermostatic head

TRV head and sleeve couplings included.



COLO.AF2.RW.3... **177.40**

- fill in sleeve coupling code
- Precision metal tube 14/1 **114**
 - Precision metal tube 15/1 **115**
 - Precision metal tube 16/1 **116**
 - RPE/ALU tube 16/2 **316**

Other connection sets:

See chapter "Connection sets and valves" for all connection options and technical information



ORDERING CODE

code height length type
BIWW . 020 040 10

ORDERING CODE WITH DBE

code height length type Option
BIWW . 030 060 11 /DBE

DBE should be selected according to the power in comfort mode, as stated in the price and output table. The transition between standby (inactive) and comfort is managed automatically depending on the measured temperature and settings. For boost mode: see www.jaga.co.uk.



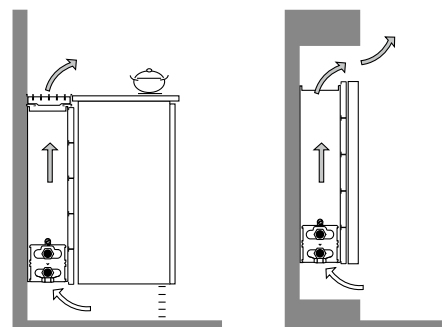
GUIDELINES FOR INSTALLATION

Cupboards should be built in a way that permits access to the heat exchanger for regular maintenance.

In order to prevent dirt from falling into the heat exchanger, fit the grille a little higher than the cupboard edge.

The outputs indicated are based on a free air flow of 75% of the depth. If the free opening is smaller, a correction factor must be applied to calculate the heat output.

% Air flow	Correction factor
75	1.00
60	0.96
50	0.92
40	0.84
30	0.66



H020 - INSTALLATION IN A WALL RECESS



L	STANDARD				TWIN				WITH DBE				
	Type	Watts 75/65	Watts 55/45	£	Type	Watts 75/65	Watts 55/45	£	Type	Watts 75/65	Watts 55/45	Watts 45/38	£
040	10	262	127	48.20	---	---	---	---	---	---	---	---	---
	15	436	212	58.90	---	---	---	---	---	---	---	---	---
	20	613	299	69.30	---	---	---	---	---	---	---	---	---
050	10	328	159	53.70	---	---	---	---	---	---	---	---	---
	15	545	265	66.00	---	---	---	---	---	---	---	---	---
	20	766	373	78.60	---	---	---	---	---	---	---	---	---
060	10	393	191	57.80	---	---	---	---	10	543	326	233	188.40
	15	654	319	72.00	---	---	---	---	15	904	542	389	211.20
	20	919	448	86.60	---	---	---	---	20	1169	701	503	223.80
070	10	459	223	68.40	---	---	---	---	10	609	365	262	195.70
	15	763	372	86.10	---	---	---	---	15	1013	608	436	222.50
	20	1072	522	104.20	---	---	---	---	20	1322	793	568	238.00
080	10	524	255	73.70	---	---	---	---	10	674	404	290	199.80
	15	872	425	93.40	---	---	---	---	15	1122	673	482	228.40
	20	1226	597	113.60	---	---	---	---	20	1476	886	635	246.10
090	10	590	287	78.80	---	---	---	---	10	890	534	383	256.70
	15	981	478	100.50	---	---	---	---	15	1481	889	637	294.60
	20	1379	672	122.40	---	---	---	---	20	1879	1127	808	313.60
100	10	655	318	87.00	---	---	---	---	10	955	573	411	263.00
	15	1090	531	111.90	---	---	---	---	15	1590	954	684	304.20
	20	1532	746	137.40	---	---	---	---	20	2032	1219	874	326.10
110	10	721	350	92.60	---	---	---	---	10	1021	613	439	267.30
	15	1199	584	119.70	---	---	---	---	15	1699	1019	731	310.90
	20	1685	821	147.40	---	---	---	---	20	2185	1311	940	335.20
120	10	786	382	97.80	---	---	---	---	10	1086	652	467	270.80
	15	1308	637	127.10	---	---	---	---	15	1808	1085	777	316.90
	20	1838	895	157.00	---	---	---	---	20	2338	1403	1005	343.00
140	10	917	446	109.90	---	---	---	---	10	1217	730	523	279.60
	15	1526	743	143.60	---	---	---	---	15	2026	1216	871	329.70
	20	2145	1045	190.70	---	---	---	---	20	2645	1587	1137	370.70
160	10	1048	509	130.40	---	---	---	---	10	1648	989	709	399.40
	15	1744	850	171.90	---	---	---	---	15	2744	1646	1180	471.20
	20	2451	1194	228.10	---	---	---	---	20	3451	2071	1484	520.10
180	10	1179	573	141.70	---	---	---	---	10	1779	1067	765	407.30
	15	1962	956	187.90	---	---	---	---	15	2962	1777	1274	484.30
	20	2758	1343	249.10	---	---	---	---	20	3758	2255	1616	537.30
200	10	1310	637	153.30	---	---	---	---	10	1910	1146	821	415.80
	15	2180	1062	217.30	---	---	---	---	15	3180	1908	1367	508.80
	20	3064	1493	269.90	---	---	---	---	20	4064	2438	1748	554.50
220	10	1441	700	176.40	---	---	---	---	10	2041	1225	878	433.60
	15	2398	1168	250.60	---	---	---	---	15	3398	2039	1461	537.60
	20	3370	1642	313.10	---	---	---	---	20	4370	2622	1879	592.00
240	10	1572	764	190.60	---	---	---	---	10	2472	1483	1063	547.40
	15	2616	1274	269.90	---	---	---	---	15	4116	2470	1770	670.60
	20	3677	1791	337.80	---	---	---	---	20	5177	3106	2226	730.00
260	10	1703	827	203.40	---	---	---	---	10	2603	1562	1119	558.70
	15	2834	1381	287.90	---	---	---	---	15	4334	2600	1864	686.90
	20	3983	1940	360.90	---	---	---	---	20	5483	3290	2358	750.50
280	10	1834	891	215.80	---	---	---	---	10	2734	1640	1176	567.50
	15	3052	1487	305.50	---	---	---	---	15	4552	2731	1957	700.90
	20	4290	2090	383.60	---	---	---	---	20	5790	3474	2490	769.40
300	10	1965	955	227.90	---	---	---	---	10	2865	1719	1232	579.20
	15	3270	1593	322.60	---	---	---	---	15	4770	2862	2051	718.00
	20	4596	2239	406.20	---	---	---	---	20	6096	3658	2621	791.10

Installation in a wall recess is also available in heights 70 and 90 cm, see: www.jaga.co.uk

EN442 output at 20°C room temperature

INSTALLATION IN A WALL RECESS ■ H030

BIWW.030 LLL TT

L	STANDARD				TWIN			
	Type	Watts 75/65	Watts 55/45	£	Type	Watts 75/65	Watts 55/45	£
040	10	330	161	51.30	11	448	215	96.70
	15	544	267	61.80	16	592	281	115.50
	20	762	373	72.80	21	779	368	121.10
050	10	413	202	57.40	11	561	269	106.10
	15	680	333	69.70	16	740	352	128.10
	20	953	467	82.60	21	974	460	135.60
060	10	496	242	61.80	11	673	323	113.70
	15	815	399	76.10	16	888	422	138.70
	20	1144	561	91.00	21	1169	552	148.30
070	10	578	282	73.10	11	785	376	131.90
	15	951	466	90.80	16	1036	492	163.60
	20	1334	654	109.40	21	1364	644	176.30
080	10	661	323	78.90	11	897	430	141.20
	15	1087	533	98.70	16	1184	563	176.40
	20	1525	747	119.20	21	1558	736	191.50
090	10	743	363	84.50	11	1009	484	150.10
	15	1223	599	106.10	16	1332	633	189.00
	20	1715	841	128.50	21	1753	828	205.50
100	10	826	403	93.20	11	1121	537	164.60
	15	1359	666	118.00	16	1480	703	209.00
	20	1906	934	144.00	21	1948	920	229.40
110	10	909	444	99.30	11	1233	591	174.20
	15	1495	733	126.60	16	1628	774	222.70
	20	2097	1028	154.80	21	2143	1012	245.20
120	10	991	484	105.10	11	1345	645	183.50
	15	1631	799	134.30	16	1776	844	235.70
	20	2287	1121	164.80	21	2338	1105	260.40
140	10	1156	565	118.80	11	1569	752	204.90
	15	1903	933	152.60	16	2072	985	265.10
	20	2668	1308	200.20	21	2727	1288	315.00
160	10	1322	646	140.40	11	1794	860	241.20
	15	2174	1066	182.00	16	2368	1126	315.20
	20	3050	1495	238.70	21	3117	1473	374.40
180	10	1487	726	152.80	11	2018	967	261.00
	15	2446	1199	199.00	16	2664	1266	343.50
	20	3431	1682	260.90	21	3506	1656	407.60
200	10	1652	807	165.60	11	2242	1074	281.10
	15	2718	1332	229.50	16	2960	1407	395.20
	20	3812	1868	282.80	21	3896	1841	441.20
220	10	1817	887	189.70	11	2466	1182	322.00
	15	2990	1465	263.90	16	3256	1548	454.60
	20	4193	2055	327.10	21	4286	2025	509.50
240	10	1982	968	205.40	11	2690	1289	346.70
	15	3262	1599	284.70	16	3552	1688	488.90
	20	4574	2242	353.50	21	4675	2209	549.60
260	10	2148	1049	219.40	11	2915	1397	369.40
	15	3533	1732	303.80	16	3848	1829	520.60
	20	4956	2429	377.70	21	5065	2393	586.30
280	10	2313	1130	232.90	11	3139	1504	391.40
	15	3805	1865	322.50	16	4144	1970	551.30
	20	5337	2616	401.50	21	5454	2577	622.40
300	10	2478	1210	246.10	11	3363	1612	412.30
	15	4077	1998	340.90	16	4440	2110	581.50
	20	5718	2802	425.20	21	5844	2761	658.20

BIWW.030 LLL TT/DBE

Type	WITH DBE			
	Watts 75/65	Watts 55/45	Watts 45/38	£
---	---	---	---	---
---	---	---	---	---
---	---	---	---	---
---	---	---	---	---
---	---	---	---	---
---	---	---	---	---
11	973	584	418	234.70
16	1368	821	588	275.30
21	1649	989	709	280.10
11	1085	651	467	247.90
16	1516	910	652	295.50
21	1844	1106	793	302.90
11	1197	718	515	255.20
16	1664	998	716	306.10
21	2038	1223	876	315.50
11	1609	965	692	315.60
16	2292	1375	986	377.50
21	2713	1628	1167	388.20
11	1721	1033	740	326.70
16	2440	1464	1049	394.50
21	2908	1745	1250	408.00
11	1833	1100	788	334.20
16	2588	1553	1113	405.90
21	3103	1862	1334	422.20
11	1945	1167	836	340.60
16	2736	1642	1176	416.90
21	3298	1979	1418	435.10
11	2169	1301	933	356.20
16	3032	1819	1304	440.60
21	3687	2212	1585	480.10
11	2994	1796	1287	488.80
16	4288	2573	1844	597.10
21	5037	3022	2166	648.70
11	3218	1931	1384	502.30
16	4584	2750	1971	619.90
21	5426	3256	2333	676.20
11	3442	2065	1480	517.30
16	4880	2928	2098	664.10
21	5816	3490	2501	703.50
11	3666	2200	1576	548.90
16	5176	3106	2226	715.30
21	6206	3724	2669	763.10
11	4490	2694	1931	671.00
16	6432	3859	2766	861.40
21	7555	4533	3249	914.30
11	4715	2829	2027	690.30
16	6728	4037	2893	889.60
21	7945	4767	3416	947.00
11	4939	2963	2124	706.20
16	7024	4214	3020	914.90
21	8334	5000	3584	976.60
11	5163	3098	2220	727.40
16	7320	4392	3148	946.70
21	8724	5234	3751	1013.50

EN442 output at 20°C room temperature

Installation in a wall recess is also available in heights 70 and 90 cm, see: www.jaga.co.uk

H040 - INSTALLATION IN A WALL RECESS



L	STANDARD				TWIN				WITH DBE				
	Type	Watts 75/65	Watts 55/45	£	Type	Watts 75/65	Watts 55/45	£	Type	Watts 75/65	Watts 55/45	Watts 45/38	£
040	10	385	189	54.10	11	506	243	99.80	---	---	---	---	---
	15	627	309	65.40	16	680	323	119.00	---	---	---	---	---
	20	878	433	76.60	21	910	428	125.00	---	---	---	---	---
050	10	482	236	61.00	11	632	303	109.80	---	---	---	---	---
	15	784	386	73.70	16	850	403	132.10	---	---	---	---	---
	20	1098	541	87.20	21	1137	535	140.10	---	---	---	---	---
060	10	578	284	65.70	11	758	363	117.60	11	1058	635	455	237.80
	15	941	464	80.40	16	1020	484	143.20	16	1500	900	645	278.00
	20	1318	650	96.00	21	1364	641	153.10	21	1844	1106	793	283.20
070	10	674	331	77.90	11	885	424	136.60	11	1185	711	510	251.20
	15	1098	541	96.10	16	1190	564	168.70	16	1670	1002	718	298.50
	20	1537	758	114.90	21	1592	749	182.00	21	2072	1243	891	306.20
080	10	770	378	84.00	11	1011	485	146.40	11	1311	787	564	258.70
	15	1254	618	104.30	16	1360	645	182.10	16	1840	1104	791	309.30
	20	1757	866	125.20	21	1819	855	197.50	21	2299	1379	989	319.10
090	10	867	425	90.20	11	1138	546	155.70	11	1738	1043	747	320.20
	15	1411	695	112.50	16	1530	726	195.10	16	2490	1494	1071	381.80
	20	1976	974	135.10	21	2047	963	212.10	21	3007	1804	1293	392.80
100	10	963	472	99.30	11	1264	606	170.70	11	1864	1118	802	331.60
	15	1568	773	124.70	16	1700	806	215.50	16	2660	1596	1144	399.10
	20	2196	1083	151.00	21	2274	1069	236.40	21	3234	1940	1391	412.90
110	10	1059	520	106.10	11	1390	666	181.00	11	1990	1194	856	339.60
	15	1725	850	133.90	16	1870	887	229.90	16	2830	1698	1217	411.00
	20	2416	1191	162.40	21	2501	1176	253.10	21	3461	2077	1488	427.60
120	10	1156	567	112.50	11	1517	727	190.80	11	2117	1270	910	346.20
	15	1882	928	142.10	16	2040	968	243.40	16	3000	1800	1290	422.10
	20	2635	1299	172.90	21	2729	1283	268.60	21	3689	2213	1586	440.70
140	10	1348	661	127.50	11	1770	849	213.80	11	2370	1422	1019	362.80
	15	2195	1082	162.00	16	2380	1129	274.70	16	3340	2004	1436	446.70
	20	3074	1516	210.50	21	3184	1497	325.10	21	4144	2486	1782	486.80
160	10	1541	756	150.40	11	2022	969	251.00	11	3222	1933	1385	496.20
	15	2509	1237	192.60	16	2720	1290	325.90	16	4640	2784	1995	604.00
	20	3514	1733	250.00	21	3638	1711	385.70	21	5558	3335	2390	656.20
180	10	1733	850	163.80	11	2275	1091	272.10	11	3475	2085	1494	510.20
	15	2822	1391	210.80	16	3060	1452	355.20	16	4980	2988	2141	627.30
	20	3953	1949	273.30	21	4093	1925	420.10	21	6013	3608	2586	684.20
200	10	1926	945	177.80	11	2528	1212	293.20	11	3728	2237	1603	525.80
	15	3136	1546	242.40	16	3400	1613	408.10	16	5320	3192	2288	672.10
	20	4392	2166	296.40	21	4548	2139	454.60	21	6468	3881	2781	712.00
220	10	2119	1040	203.10	11	2781	1333	335.20	11	3981	2389	1712	558.20
	15	3450	1700	277.80	16	3740	1774	468.70	16	5660	3396	2434	724.00
	20	4831	2382	341.70	21	5003	2353	524.10	21	6923	4154	2977	772.50
240	10	2311	1134	220.20	11	3034	1455	361.40	11	4834	2900	2079	681.50
	15	3763	1855	300.50	16	4080	1935	504.70	16	6960	4176	2993	871.20
	20	5270	2599	370.20	21	5458	2567	566.20	21	8338	5003	3585	924.80
260	10	2504	1229	235.40	11	3286	1576	385.30	11	5086	3052	2187	702.00
	15	4077	2009	320.80	16	4420	2097	537.50	16	7300	4380	3139	900.70
	20	5710	2816	395.60	21	5912	2780	604.00	21	8792	5275	3781	958.70
280	10	2696	1323	250.00	11	3539	1697	408.40	11	5339	3203	2296	718.50
	15	4390	2164	340.50	16	4760	2258	569.30	16	7640	4584	3285	926.50
	20	6149	3032	420.40	21	6367	2994	641.40	21	9247	5548	3976	989.00
300	10	2889	1417	264.40	11	3792	1818	430.50	11	5592	3355	2405	741.60
	15	4704	2318	359.90	16	5100	2419	600.70	16	7980	4788	3431	959.50
	20	6588	3249	445.30	21	6822	3208	678.30	21	9702	5821	4172	1027.70

Installation in a wall recess is also available in heights 70 and 90 cm, see: www.jaga.co.uk

EN442 output at 20°C room temperature

INSTALLATION IN A WALL RECESS ■ H050

BIWW.050 LLL TT

L	STANDARD				TWIN			
	Type	Watts 75/65	Watts 55/45	£	Type	Watts 75/65	Watts 55/45	£
040	10	430	212	57.70	11	554	266	102.80
	15	694	344	68.90	16	759	359	122.50
	20	970	481	80.40	21	1033	484	128.70
050	10	538	265	64.90	11	693	332	113.60
	15	867	430	77.90	16	949	449	136.40
	20	1213	602	91.60	21	1291	605	144.50
060	10	646	318	70.20	11	832	399	121.70
	15	1040	516	85.00	16	1139	539	147.80
	20	1455	722	100.70	21	1549	725	157.80
070	10	753	371	83.10	11	970	465	141.60
	15	1214	602	101.30	16	1329	629	174.10
	20	1698	842	120.40	21	1807	846	187.40
080	10	861	424	89.70	11	1109	532	151.70
	15	1387	688	110.10	16	1518	719	187.90
	20	1940	962	131.30	21	2066	968	203.50
090	10	968	477	96.30	11	1247	598	161.60
	15	1561	774	118.70	16	1708	809	201.30
	20	2183	1083	141.60	21	2324	1088	218.60
100	10	1076	530	105.90	11	1386	665	177.00
	15	1734	860	131.50	16	1898	898	222.30
	20	2425	1203	157.90	21	2582	1209	243.30
110	10	1184	584	113.40	11	1525	732	188.10
	15	1907	946	141.20	16	2088	988	237.40
	20	2668	1323	170.10	21	2840	1330	260.50
120	10	1291	636	120.10	11	1663	798	198.20
	15	2081	1032	149.90	16	2278	1078	251.30
	20	2910	1443	181.00	21	3098	1451	276.70
140	10	1506	742	137.20	11	1940	931	222.80
	15	2428	1204	171.70	16	2657	1258	284.50
	20	3395	1684	220.40	21	3615	1693	335.10
160	10	1722	849	161.00	11	2218	1064	261.30
	15	2774	1376	203.50	16	3037	1438	336.70
	20	3880	1924	261.20	21	4131	1935	396.80
180	10	1937	955	175.60	11	2495	1197	283.40
	15	3121	1548	222.80	16	3416	1617	367.20
	20	4365	2165	285.60	21	4648	2177	432.30
200	10	2152	1061	190.70	11	2772	1330	305.70
	15	3468	1720	255.50	16	3796	1797	421.20
	20	4850	2405	309.80	21	5164	2418	468.10
220	10	2367	1167	216.90	11	3049	1463	348.70
	15	3815	1892	292.00	16	4176	1977	482.80
	20	5335	2646	356.10	21	5680	2660	538.60
240	10	2582	1273	236.00	11	3326	1596	376.60
	15	4162	2064	316.50	16	4555	2156	520.90
	20	5820	2886	386.50	21	6197	2902	582.60
260	10	2798	1379	252.20	11	3604	1729	401.60
	15	4508	2236	337.90	16	4935	2336	554.60
	20	6305	3127	413.00	21	6713	3144	621.50
280	10	3013	1485	268.00	11	3881	1862	425.90
	15	4855	2408	358.80	16	5314	2516	587.60
	20	6790	3367	439.00	21	7230	3386	660.00
300	10	3228	1591	283.40	11	4158	1995	449.10
	15	5202	2580	379.40	16	5694	2695	620.20
	20	7275	3608	465.00	21	7746	3628	698.00

BIWW.050 LLL TT/DBE

Type	WITH DBE			
	Watts 75/65	Watts 55/45	Watts 45/38	£
---	---	---	---	---
---	---	---	---	---
---	---	---	---	---
---	---	---	---	---
---	---	---	---	---
---	---	---	---	---
11	1132	679	487	240.50
16	1619	971	696	281.10
21	2029	1217	872	287.40
11	1270	762	546	254.20
16	1809	1085	778	301.80
21	2287	1372	983	310.60
11	1409	845	606	261.90
16	1998	1199	859	312.90
21	2546	1528	1095	323.80
11	1847	1108	794	324.50
16	2668	1601	1147	386.40
21	3284	1970	1412	398.60
11	1986	1192	854	336.10
16	2858	1715	1229	404.00
21	3542	2125	1523	419.00
11	2125	1275	914	344.60
16	3048	1829	1311	416.40
21	3800	2280	1634	434.10
11	2263	1358	973	351.40
16	3238	1943	1392	427.70
21	4058	2435	1745	447.40
11	2540	1524	1092	368.90
16	3617	2170	1555	453.30
21	4575	2745	1967	495.00
11	3418	2051	1470	503.10
16	4957	2974	2132	611.40
21	6051	3631	2602	665.20
11	3695	2217	1589	517.50
16	5336	3202	2294	635.20
21	6568	3941	2824	693.70
11	3972	2383	1708	533.70
16	5716	3430	2458	680.50
21	7084	4250	3046	722.10
11	4249	2549	1827	566.90
16	6096	3658	2621	733.20
21	7600	4560	3268	783.30
11	5126	3076	2204	691.30
16	7435	4461	3197	881.70
21	9077	5446	3903	937.60
11	5404	3242	2324	713.10
16	7815	4689	3360	912.50
21	9593	5756	4125	972.70
11	5681	3409	2443	730.10
16	8194	4916	3523	938.80
21	10110	6066	4347	1003.50
11	5958	3575	2562	754.40
16	8574	5144	3687	973.70
21	10626	6376	4569	1045.10

EN442 output at 20°C room temperature

Installation in a wall recess is also available in heights 70 and 90 cm, see: www.jaga.co.uk

H060 - INSTALLATION IN A WALL RECESS



L	BIWW.060 LLL TT				BIWW.060 LLL TT/DBE								
	STANDARD			£	TWIN			£	WITH DBE			£	
	Type	Watts 75/65	Watts 55/45		Type	Watts 75/65	Watts 55/45		Type	Watts 75/65	Watts 55/45		Watts 45/38
040	10	468	232	61.00	11	598	287	106.10	---	---	---	---	---
	15	746	372	72.20	16	834	394	125.80	---	---	---	---	---
	20	1043	520	84.00	21	1153	538	132.00	---	---	---	---	---
050	10	585	290	68.90	11	747	359	117.50	---	---	---	---	---
	15	933	466	82.00	16	1042	492	140.30	---	---	---	---	---
	20	1304	651	95.70	21	1441	672	148.30	---	---	---	---	---
060	10	702	348	74.40	11	896	430	126.00	11	1196	718	514	242.80
	15	1120	559	89.50	16	1250	591	151.90	16	1730	1038	744	284.50
	20	1565	781	105.20	21	1729	806	162.20	21	2209	1325	950	289.70
070	10	819	406	88.10	11	1046	502	146.60	11	1346	808	579	256.70
	15	1306	652	106.60	16	1459	689	179.10	16	1939	1163	834	305.30
	20	1826	911	125.70	21	2017	941	192.50	21	2497	1498	1074	313.20
080	10	936	463	95.10	11	1195	574	157.30	11	1495	897	643	264.70
	15	1493	745	115.70	16	1667	788	193.30	16	2147	1288	923	316.80
	20	2086	1041	137.00	21	2306	1076	209.00	21	2786	1672	1198	326.60
090	10	1053	521	102.30	11	1345	646	167.60	11	1945	1167	836	328.30
	15	1679	838	124.80	16	1876	886	207.30	16	2836	1702	1219	391.30
	20	2347	1171	148.00	21	2594	1210	224.60	21	3554	2132	1528	402.50
100	10	1170	579	112.50	11	1494	717	183.50	11	2094	1256	900	340.30
	15	1866	931	138.00	16	2084	985	228.80	16	3044	1826	1309	409.20
	20	2608	1301	164.70	21	2882	1344	249.70	21	3842	2305	1652	423.20
110	10	1287	637	120.70	11	1643	789	195.20	11	2243	1346	964	349.20
	15	2053	1024	148.50	16	2292	1083	244.50	16	3252	1951	1398	422.00
	20	2869	1432	177.50	21	3170	1479	267.80	21	4130	2478	1776	438.80
120	10	1404	695	127.80	11	1793	861	205.90	11	2393	1436	1029	356.20
	15	2239	1117	157.70	16	2501	1182	258.90	16	3461	2077	1488	433.60
	20	3130	1562	189.00	21	3458	1613	284.30	21	4418	2651	1900	452.30
140	10	1638	811	146.40	11	2092	1004	232.10	11	2692	1615	1158	374.60
	15	2612	1303	181.30	16	2918	1379	293.80	16	3878	2327	1668	460.50
	20	3651	1822	230.30	21	4035	1882	344.40	21	4995	2997	2148	500.80
160	10	1872	927	171.50	11	2390	1147	271.80	11	3590	2154	1544	509.50
	15	2986	1490	214.10	16	3334	1575	347.20	16	5254	3152	2259	619.40
	20	4173	2082	272.00	21	4611	2151	407.20	21	6531	3919	2808	671.70
180	10	2106	1043	187.30	11	2689	1291	295.00	11	3889	2333	1672	524.40
	15	3359	1676	234.50	16	3751	1772	378.80	16	5671	3403	2439	643.70
	20	4694	2342	297.60	21	5188	2420	443.80	21	7108	4265	3056	700.70
200	10	2340	1159	203.40	11	2988	1434	318.40	11	4188	2513	1801	541.20
	15	3732	1862	268.50	16	4168	1969	433.90	16	6088	3653	2618	689.50
	20	5216	2603	322.80	21	5764	2688	480.60	21	7684	4610	3304	729.70
220	10	2574	1275	230.70	11	3287	1578	362.50	11	4487	2692	1929	575.10
	15	4105	2048	305.90	16	4585	2166	496.60	16	6505	3903	2797	743.00
	20	5738	2863	370.30	21	6340	2957	552.20	21	8260	4956	3552	791.60
240	10	2808	1390	251.50	11	3586	1721	392.00	11	5386	3232	2316	700.50
	15	4478	2234	332.20	16	5002	2363	536.30	16	7882	4729	3389	893.10
	20	6259	3123	402.50	21	6917	3226	598.00	21	9797	5878	4213	947.00
260	10	3042	1506	268.80	11	3884	1864	418.20	11	5684	3410	2444	723.60
	15	4852	2421	354.70	16	5418	2560	571.20	16	8298	4979	3568	925.10
	20	6781	3383	430.20	21	7493	3495	638.00	21	10373	6224	4460	983.40
280	10	3276	1622	285.80	11	4183	2008	443.50	11	5983	3590	2573	741.20
	15	5225	2607	376.70	16	5835	2757	605.30	16	8715	5229	3747	952.00
	20	7302	3643	457.40	21	8070	3764	677.60	21	10950	6570	4709	1014.70
300	10	3510	1738	302.30	11	4482	2151	467.90	11	6282	3769	2701	766.80
	15	5598	2793	398.60	16	6252	2954	639.00	16	9132	5479	3927	989.00
	20	7824	3904	484.50	21	8646	4033	716.80	21	11526	6916	4956	1057.50

EN442 output at 20°C room temperature

Installation in a wall recess is also available in heights 70 and 90 cm, see: www.jaga.co.uk

Jaga Heating Products (UK) Ltd
Orchard Business Park
Bromyard Road
Ledbury, Herefordshire HR8 1LG

Tel.: +44 1531 631 533
Fax: +44 1531 631 534
E-mail: jaga@jaga.co.uk
www.jaga.co.uk

Jaga International
Verbindingslaan z/n
B-3590 Diepenbeek

Tel.: +32 11 29 41 16
Fax: +32 11 29 41 60
E-mail: export@jaga.be

WWW.
THE RADIATOR FACTORY
.COM

WWW.JAGAEXPERIENCELAB.COM

your partner: