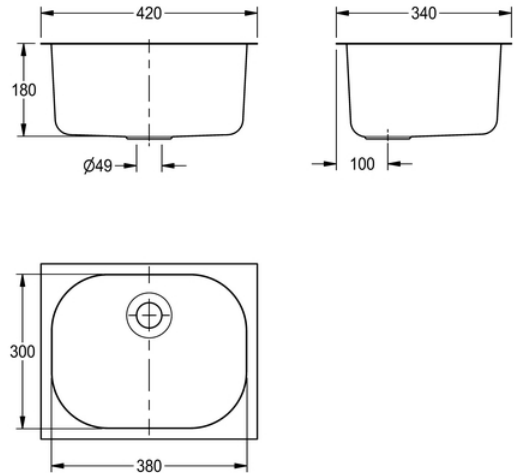


SMALL INSET SINK BOWL: C20120N

C20120N | 2000100319

PRODUCT GROUP : Wash basins | ARTICLE FAMILY : Wash basins | ARTICLE GROUP : C20120N



A range of small inset sink bowls manufactured from 0.9mm thick grade 1.4301 (304) stainless steel, satin polish finish. All have rimmed edges, suitable for inseting into a worktop. Models C20120N and C20137N have a 17mm rimmed edge whereas all the other sink bowls incorporate a 20mm rimmed edge. Each bowl is prepared for a 38mm waste and overflow. Waste, plug, chain and overflow are available as extras. No tapholes are provided therefore any taps to be fitted must be mounted either through the worktop or on the wall. Fixing clips are supplied with each bowl. NOTE: It may be necessary to notch the worktop when fitting an overflow.

TECHNICAL DATA

bowl - bowl depth	180.00 mm
bowl finish	satin finished
bowl - depth	380.00 mm
bowl shape	oval
bowl - width	300.00 mm
gross weight	2.40 kg
material	stainless steel
material code	1.4301 Chrome Nickel steel V2A
material thickness	0.90 mm
net weight	2.40 kg
overall depth	340.00 mm
overall height	180.00 mm
overall width	414.00 mm
overflow	yes
rear upstand	no
splash back	no
surface finish	satin finished
tap ledge	no
type of mounting	inset mounting
waste hole position	centre back
waste kit included	yes

waste size

DN 40
