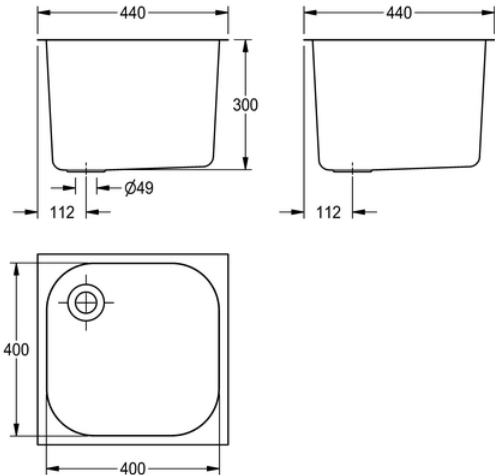


SMALL INSET SINK BOWL: C20133N

C20133N | 2000100323

PRODUCT GROUP : Wash basins | ARTICLE FAMILY : Wash basins | ARTICLE GROUP : C20133N



A range of small inset sink bowls manufactured from 0.9mm thick grade 1.4301 (304) stainless steel, satin polish finish. All have rimmed edges, suitable for inseting into a worktop. Models C20120N and C20137N have a 17mm rimmed edge whereas all the other sink bowls incorporate a 20mm rimmed edge. Each bowl is prepared for a 38mm waste and overflow. Waste, plug, chain and overflow are available extras. No tapholes are provided therefore any taps to be fitted must be mounted either through the worktop or on the wall. Fixing clips are supplied with each bowl. NOTE: It may be necessary to notch the worktop when fitting an overflow.

TECHNICAL DATA

bowl - bowl depth	300.00 mm
bowl finish	satin finished
bowl - depth	400.00 mm
bowl shape	circle with straight sides
bowl - width	400.00 mm
gross weight	5.50 kg
material	stainless steel
material code	1.4301 Chrome Nickel steel V2A
material thickness	0.90 mm
net weight	5.50 kg
overall depth	440.00 mm
overall height	180.00 mm
overall width	440.00 mm
overflow	yes
rear upstand	no
splash back	no
surface finish	satin finished
tap ledge	no
type of mounting	inset mounting
waste hole position	right back corner
waste kit included	yes

waste size

DN 40
