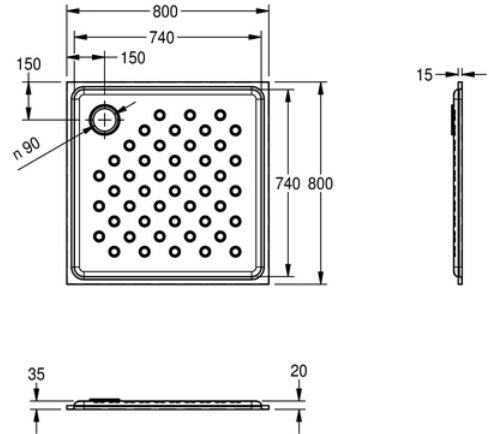


SHOWER TRAY: CMPX401

CMPX401 | 2000071866

ARTICLE GROUP : **CMPX400++** | ARTICLE FAMILY : **Shower trays** | PRODUCT GROUP : **Showers** | MODEL RANGE : **CAMPUS**



Shower tray for recessed mounting, stainless steel, surface satin finished, material thickness 1 mm, deepdrawn out of one piece with rounded internal corners, bowl slanted towards waste, slip resistant patterned foot areas, waste \varnothing 90 mm, corners welded, earthing lug welded at bottom, no waste included.

CE Certified

size: 800 x 800 mm

TECHNICAL DATA

bowl - bowl depth	33.00 mm
bowl - depth	740.00 mm
bowl - width	740.00 mm
gross weight	5.40 kg
material	stainless steel
material code	1.4301 Chrome Nickel steel V2A
material thickness	1.00 mm
net weight	5.00 kg
overall depth	800.00 mm
overall height	35.00 mm
overall width	800.00 mm
surface finish	satin finished
type of mounting	inset floor mounting
waste hole position	corner
waste hole projection	150.00 mm
waste kit included	no
waste size	DN 90

SHOWER TRAY: CMPX401

CMPX401 | 2000071866

ARTICLE GROUP : **CMPX400++** | ARTICLE FAMILY : **Shower trays** | PRODUCT GROUP : **Showers** | MODEL RANGE : **CAMPUS**

SIMILAR PART



SHOWER TRAY: CMPX404

2000057501
