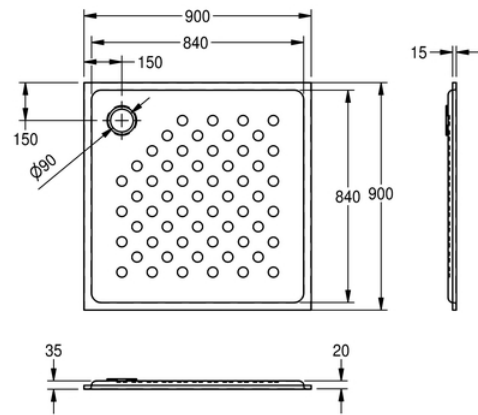


# SHOWER TRAY: CMPX404

CMPX404 | 2000057501

ARTICLE GROUP : **CMPX400++** | ARTICLE FAMILY : **Shower trays** | PRODUCT GROUP : **Showers** | MODEL RANGE : **CAMPUS**



Shower tray for recessed mounting, stainless steel, surface satin finished, material thickness 1 mm, deepdrawn out of one piece with rounded internal corners, bowl slanted towards waste, slip resistant patterned foot areas, waste Ø 90 mm, corners welded, earthing lug welded at bottom, no waste included.

CE Certified

size: 900 x 900 mm

## TECHNICAL DATA

bowl - bowl depth	35.00 mm
bowl - depth	840.00 mm
bowl - width	840.00 mm
gross weight	6.40 kg
material	stainless steel
material code	1.4301 Chrome Nickel steel V2A
material thickness	1.00 mm
net weight	6.00 kg
overall depth	900.00 mm
overall height	35.00 mm
overall width	900.00 mm
surface finish	satin finished
type of mounting	inset floor mounting
waste hole position	corner
waste hole projection	150.00 mm
waste kit included	no
waste size	DN 90

# SHOWER TRAY: CMPX404

CMPX404 | 2000057501

ARTICLE GROUP : **CMPX400++** | ARTICLE FAMILY : **Shower trays** | PRODUCT GROUP : **Showers** | MODEL RANGE : **CAMPUS**

---

## SIMILAR PART

---



---

## SHOWER TRAY: CMPX401

---

2000071866

---