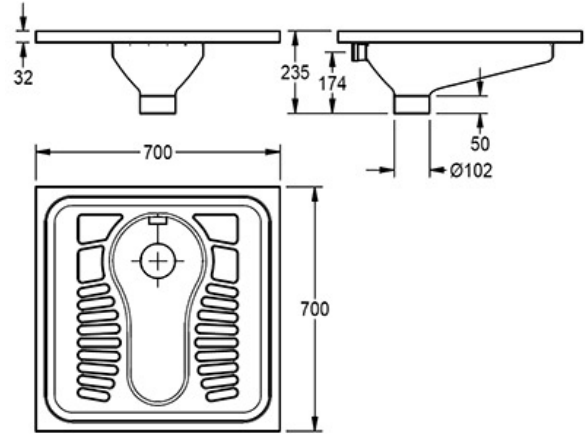


# SQUAT PAN: CMPX502N

CMPX502N | 2030018490

ARTICLE GROUP : **CMPX502N ++** | ARTICLE FAMILY : **Squat pan** | PRODUCT GROUP : **Urinals / WC** | MODEL RANGE : **CAMPUS**



Squat pan for recessed or inset mounting, stainless steel, surface satin finished, material thickness 1.2mm, DN 100 waste, drainage into ground, slip resistant patterned foot tread plate areas, suitable for recessed mounting into floor.

With spreader for connection of 40mm outer diameter flushing pipe

## TECHNICAL DATA

gross weight	9.30 kg
net weight	8.30 kg
inlet size	DN 40
material	stainless steel
material code	1.4301 Chrome Nickel steel V2A
material thickness	1.20 mm
minimum flushing capacity	6.00 liter
outlet size	DN 100
overall depth	700.00 mm
overall height	235.00 mm
overall width	700.00 mm
surface finish	satin finished
type of mounting	inset floor mounting
type of toilet seat	no seat
type of WC	squat-pan