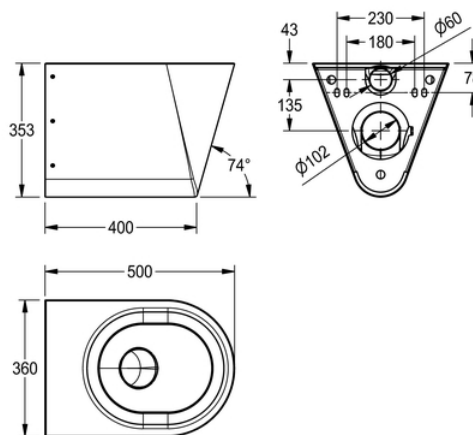


WC: CMPX592

CMPX592 | 2000100133

ARTICLE GROUP : **CMPX592++** | ARTICLE FAMILY : **WC** | PRODUCT GROUP : **Urinals / WC** | MODEL RANGE : **CAMPUS**



Wall hung WC pan, stainless steel, surface satin finished, material thickness 1.6 mm, flushing certificated to EN 997, concealed flushing rim with min. 4 liter flushing capacity, with a shrouded 100 mm diameter horizontal 'P' trap outlet, pressed seat area tapered towards centre, all edges curved, fixing with mounting plate supplied, conform to EN 33, includes security screws. 4 litre flush EN 997 approved.

without seat

CE Certified

TECHNICAL DATA

| | |
|---------------------------|--------------------------------|
| gross weight | 13.14 kg |
| inlet size | DN 55 |
| material | stainless steel |
| material code | 1.4301 Chrome Nickel steel V2A |
| material thickness | 1.60 mm |
| minimum flushing capacity | 4.00 liter |
| net weight | 11.24 kg |
| outlet size | DN 100 |
| overall depth | 500.00 mm |
| overall height | 353.00 mm |
| overall width | 360.00 mm |
| surface finish | satin finished |
| type of mounting | wall mounting |
| type of toilet seat | no seat |
| type of WC | wall hung |