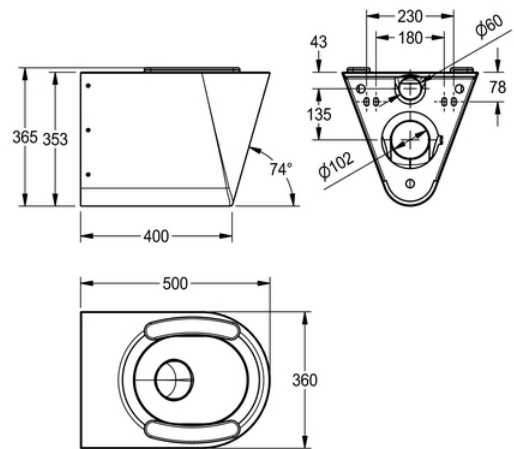


# WC: CMPX592S

CMPX592S | 2000100134

ARTICLE GROUP : **CMPX592++** | ARTICLE FAMILY : **WC** | PRODUCT GROUP : **Urinals / WC** | MODEL RANGE : **CAMPUS**



Wall hung WC pan, stainless steel, surface satin finished, material thickness 1.6 mm, flushing certificated to EN 997, concealed flushing rim with min. 4 liter flushing capacity, with a shrouded 100 mm diameter horizontal 'P' trap outlet, pressed seat area tapered towards centre, all edges curved, fixing with mounting plate supplied, conform to EN 33, includes security screws. 4 litre flush EN 997 approved.

With seat pads

CE Certified

## TECHNICAL DATA

gross weight	12.82 kg
inlet size	DN 55
material	stainless steel
material code	1.4301 Chrome Nickel steel V2A
material thickness	1.60 mm
net weight	12.02 kg
outlet size	DN 100
overall depth	500.00 mm
overall height	365.00 mm
overall width	360.00 mm
surface finish	satin finished
type of mounting	wall mounting
type of toilet seat	synthetic seat pad
type of WC	wall hung
minimum flushing capacity	4.00 liter
toilet seat colour	grey