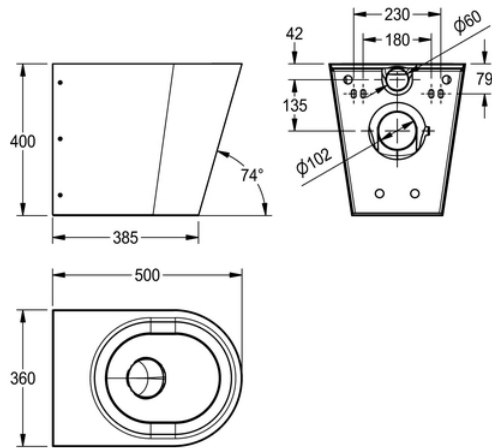


WC: CMPX597

CMPX597 | 2000100153

ARTICLE GROUP : **CMPX597++** | ARTICLE FAMILY : **WC** | PRODUCT GROUP : **Urinals / WC** | MODEL RANGE : **CAMPUS**



Floor Standing WC pan with shroud to the floor, stainless steel, surface satin finished, material thickness 1.6 mm, flushing certificated to EN 997, concealed flushing rim with min. 4 liter flushing capacity, with a shrouded 100 mm diameter horizontal 'P' trap outlet, pressed seat area tapered towards centre, all edges curved, fixing with included mounting plate conform to EN 33, including safety screws. 4 litre flush EN 997 approved.

without seat

CE Certified

TECHNICAL DATA

gross weight	16.66 kg
inlet size	DN 55
material	stainless steel
material code	1.4301 Chrome Nickel steel V2A
material thickness	1.60 mm
net weight	15.76 kg
outlet size	DN 100
overall depth	500.00 mm
overall height	400.00 mm
overall width	360.00 mm
surface finish	satin finished
type of mounting	wall and floor mounting
type of toilet seat	no seat
type of WC	wall hung
minimum flushing capacity	4.00 liter