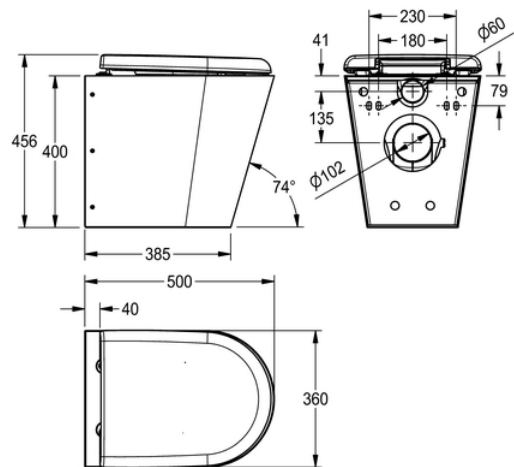


WC: CMPX597B

CMPX597B | 2000100156

ARTICLE GROUP : **CMPX597++** | ARTICLE FAMILY : **WC** | PRODUCT GROUP : **Urinals / WC** | MODEL RANGE : **CAMPUS**



Floor Standing WC pan with shroud to the floor, stainless steel, surface satin finished, material thickness 1.6 mm, flushing certificated to EN 997, concealed flushing rim with min. 4 liter flushing capacity, with a shrouded 100 mm diameter horizontal 'P' trap outlet, pressed seat area tapered towards centre, all edges curved, fixing with included mounting plate conform to EN 33, including safety screws. 4 litre flush EN 997 approved.

with black WC-seat

CE Certified

TECHNICAL DATA

| | |
|---------------------------|--------------------------------|
| gross weight | 19.24 kg |
| inlet size | DN 55 |
| material | stainless steel |
| material code | 1.4301 Chrome Nickel steel V2A |
| material thickness | 1.60 mm |
| net weight | 17.08 kg |
| outlet size | DN 100 |
| overall depth | 500.00 mm |
| overall height | 456.00 mm |
| overall width | 360.00 mm |
| toilet seat colour | black |
| surface finish | satin finished |
| type of mounting | wall and floor mounting |
| type of toilet seat | synthetic hinged seat with lid |
| type of WC | wall hung |
| minimum flushing capacity | 4.00 liter |