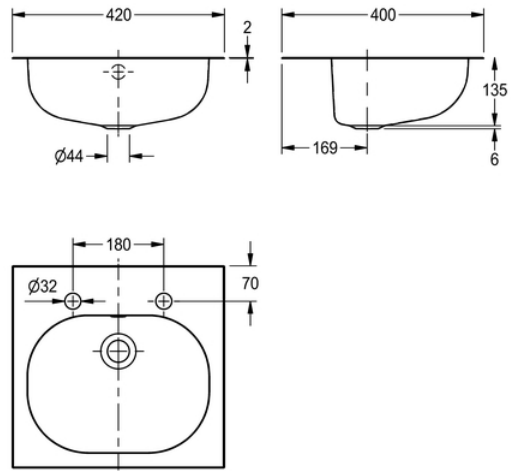


# INSERT WASHBASIN: D20167N

D20167N | 2000100228

PRODUCT GROUP : Wash basins | ARTICLE FAMILY : Wash basins | ARTICLE GROUP : D20167N



Washbasin for inseting into worktop, manufactured from grade 1.4301 (304) stainless steel - satin polish finish, material thickness 0.9mm. Prepared for 32mm waste outlet and overflow hole with two tapholes in the rear ledge behind the bowl - suitable for either basin taps of mixer taps. Bowls are supplied complete with fixing clips for inseting into worktops.

CE Certified

## TECHNICAL DATA

bowl - bowl depth	135.00 mm
bowl finish	satin finished
bowl - depth	360.00 mm
bowl shape	oval
bowl - width	272.00 mm
gross weight	2.20 kg
material	stainless steel
material code	1.4301 Chrome Nickel steel V2A
material thickness	0.90 mm
overall depth	400.00 mm
overall height	141.00 mm
overall width	420.00 mm
overflow	yes
rear upstand	no
splash back	no
surface finish	satin finished
tap ledge	yes
type of mounting	inset mounting
waste hole position	centre back
waste kit included	yes
waste size	DN 25
net weight	2.20 kg

# INSERT WASHBASIN: D20167N

D20167N | 2000100228

PRODUCT GROUP : **Wash basins** | ARTICLE FAMILY : **Wash basins** | ARTICLE GROUP : **D20167N**

---

## ACCESSORY

---



---

**TAP: F1080**

---

2000100386

---



---

**TAP: F1082**

---

2000100387

---



---

**TAP: F1329**

---

2000100392

---