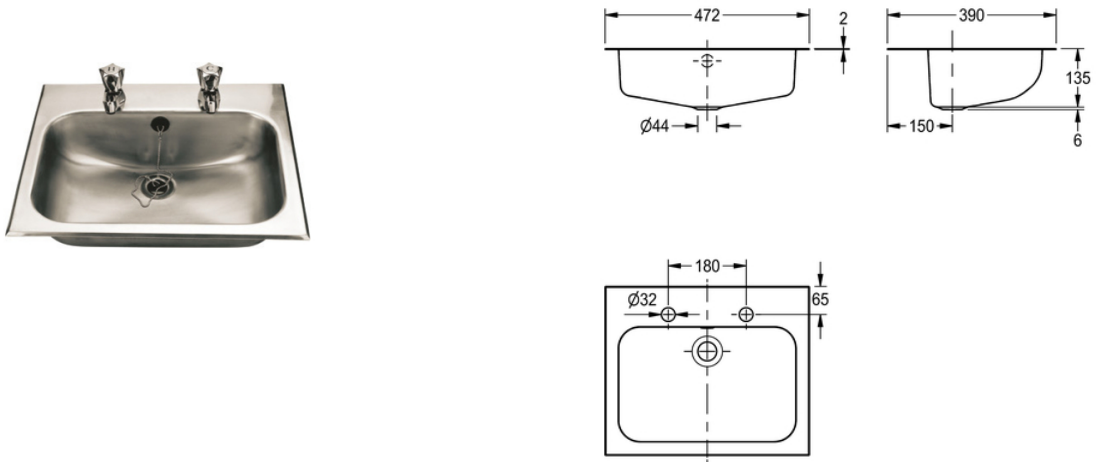


INSERT WASHBASIN: D20168N

D20168N | 2000100229

PRODUCT GROUP : Wash basins | ARTICLE FAMILY : Wash basins | ARTICLE GROUP : D20168N



Washbasin for inseting into worktop, manufactured from grade 1.4301 (304) stainless steel - satin polish finish, material thickness 0.9mm. Prepared for 32mm waste outlet and overflow hole with two tapholes in the rear ledge behind the bowl - suitable for eiher basin taps of mixer taps. Bowls are supplied complete with fixing clips for inseting into worktops.

TECHNICAL DATA

bowl - bowl depth	131.00 mm
bowl finish	satin finished
bowl - depth	410.00 mm
bowl shape	rounded rectangle
bowl - width	265.00 mm
gross weight	2.30 kg
material	stainless steel
material code	1.4301 Chrome Nickel steel V2A
material thickness	0.90 mm
overall depth	390.00 mm
overall height	146.00 mm
overall width	472.00 mm
overflow	yes
rear upstand	no
splash back	no
surface finish	satin finished
tap ledge	yes
type of mounting	inset mounting
waste hole position	centre back
waste kit included	yes
waste size	DN 25
net weight	2.30 kg

INSERT WASHBASIN: D20168N

D20168N | 2000100229

PRODUCT GROUP : **Wash basins** | ARTICLE FAMILY : **Wash basins** | ARTICLE GROUP : **D20168N**

ACCESSORY



TAP: F1080

2000100386



TAP: F1082

2000100387



TAP: F1329

2000100392
