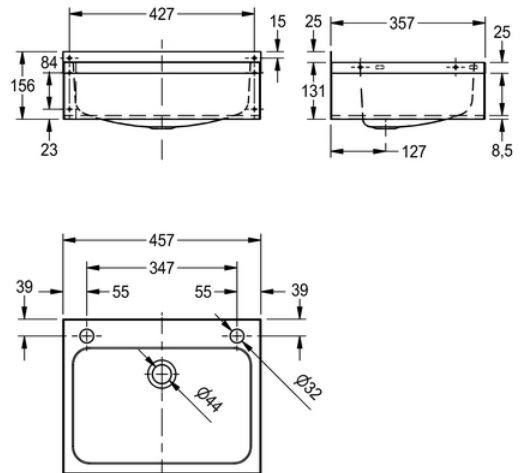


# HANDWASHPAC III: D20184N

D20184N | 2000100243

PRODUCT GROUP : Wash basins | ARTICLE FAMILY : Wash basins | ARTICLE GROUP : D20184N



Handwashpac top is manufactured from grade 1.4301 (304) stainless steel - satinpolish finish, material thickness 0.9mm. The apron support is made from 0.9mm material - high polish finish. Supplied complete with battery operated tap and manual soap dispenser. A 32mm flush grate waste outlet is screw fixed to the wall using the fixing holes provided in the rear upstand and on the rear apron fixing brackets (no screws or plugs supplied).

CE Certified

## TECHNICAL DATA

bowl - bowl depth	131.00 mm
bowl finish	satin finished
bowl - depth	410.00 mm
bowl shape	rounded rectangle
bowl - width	265.00 mm
gross weight	7.20 kg
material	stainless steel
material code	1.4301 Chrome Nickel steel V2A
material thickness	0.90 mm
net weight	7.00 kg
overall depth	357.00 mm
overall height	165.00 mm
overall width	457.00 mm
overflow	no
rear upstand	yes
splash back	no
surface finish	satin finished
tap hole position	left
tap ledge	yes
type of mounting	wall mounting
waste hole position	centre back
waste hole projection	127.00 mm

waste kit included	yes
waste size	DN 25