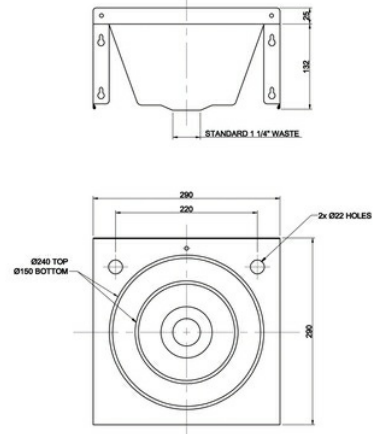


MODEL A WASHBASIN: D20195N

D20195N | 2000100238

PRODUCT GROUP : Wash basins | ARTICLE FAMILY : Wash basins | ARTICLE GROUP : D20195N



Washbasin top manufactured from 0.9mm thick, grade 1.4301 (304) stainless steel - high polish finish. The apron support is made from 0.9mm (430) material - high polish finish. Prepared for 32mm waste outlet and is supplied with two tapholes in the rear ledge. Note: It is not possible to fit an overflow in the bowl. Wall mounting by using the fixing holes provided in both the rear upstand and the rear apron fixing brackets. Screws and plugs are not supplied.

With crosshead taps and waste kit

TECHNICAL DATA

bowl - bowl depth	125.00 mm
bowl finish	satin finished
bowl - depth	240.00 mm
bowl shape	circle
gross weight	3.20 kg
material	stainless steel
material code	1.4301 Chrome Nickel steel V2A
material thickness	0.90 mm
net weight	3.00 kg
overall depth	290.00 mm
overall height	157.00 mm
overall width	290.00 mm
overflow	no
rear upstand	yes
splash back	no
surface finish	satin finished
tap ledge	yes
type of mounting	wall mounting
waste hole position	centre
waste hole projection	145.00 mm
waste kit included	yes

waste size

DN 32