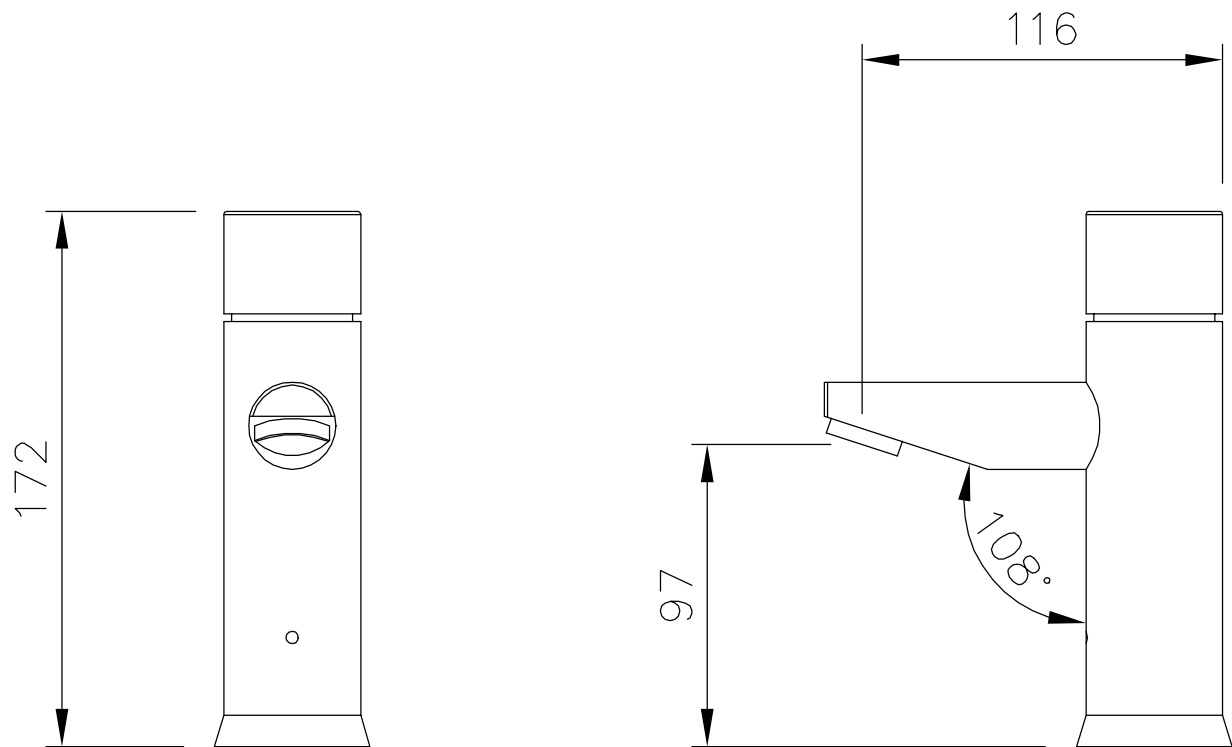
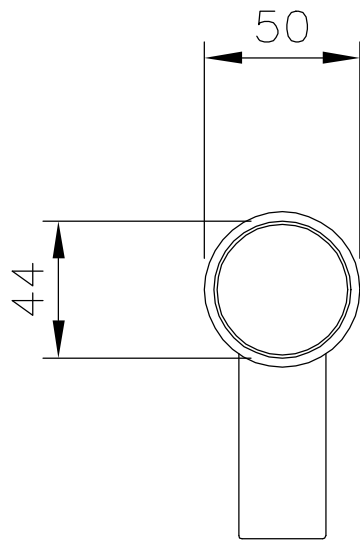


For more information go to www.barbourproductsearch.info



BELL-CHEM PRODUCTS COMPANY
DOLPHIN BLUE ELECTRONIC INFRARED TAP
DB100