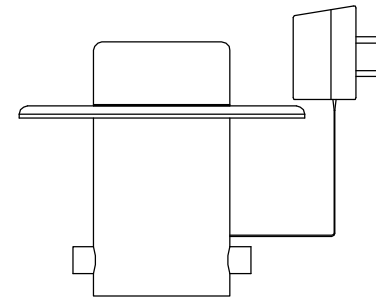
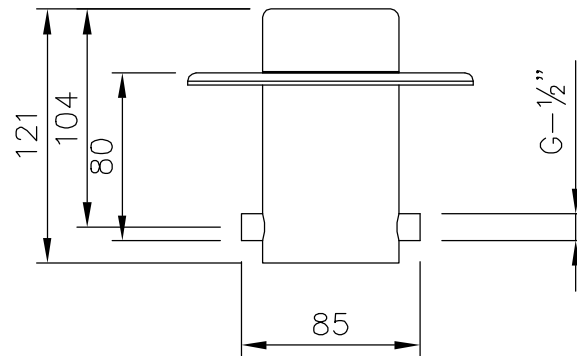
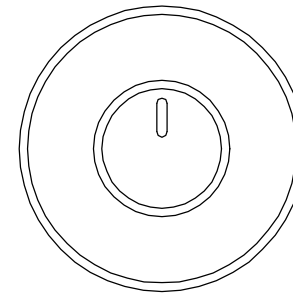
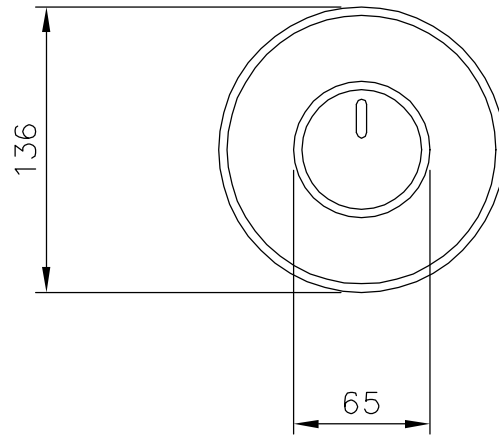


For more information go to www.barbourproductsearch.info



DB 650C INTERNAL 9V BATTERY

DB 655C 9V TRANSFORMER

BELL-CHEM PRODUCTS COMPANY
DOLPHIN BLUE ELECTRONIC URINAL SEMI-RECESSED FLUSH VALVE
DB 650C / DB 655C