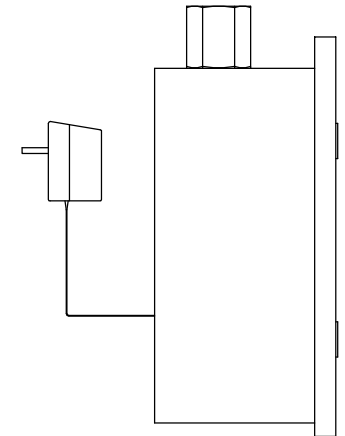
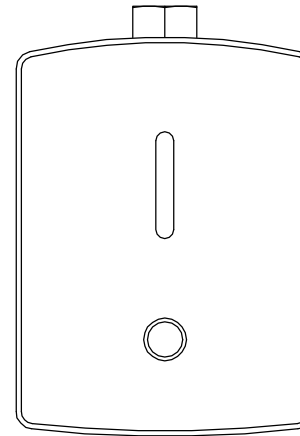
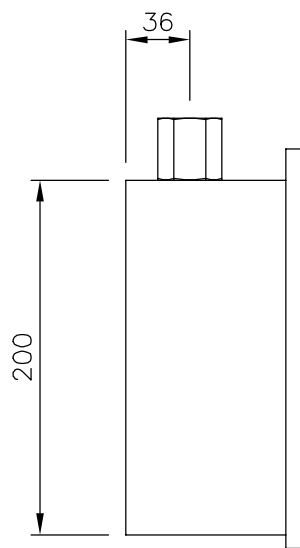
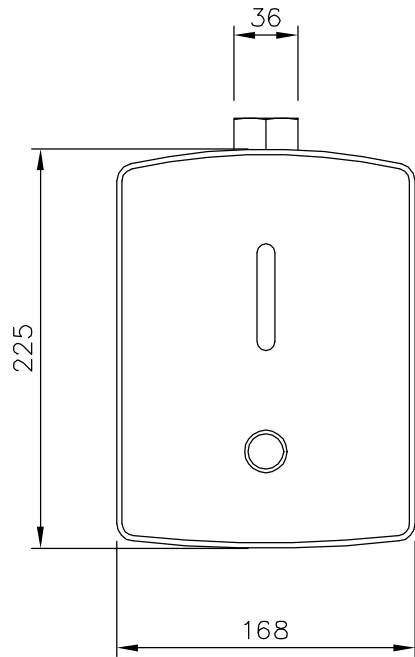
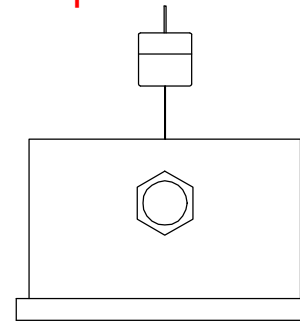
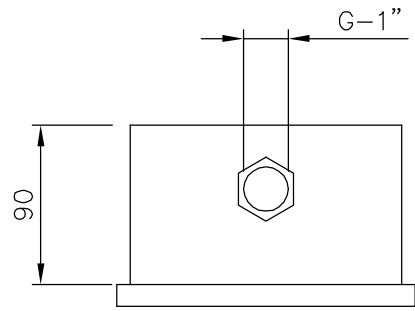


For more information go to [www.barbourproductsearch.info](http://www.barbourproductsearch.info)



DB 690S INTERNAL 9V BATTERY

DB 695S 9V TRANSFORMER

BELL-CHEM PRODUCTS COMPANY  
DOLPHIN ELECTRONIC TOILET FLUSH VALVE WITH MANUAL OVERRIDE BUTTON  
DB 690S / DB 695S