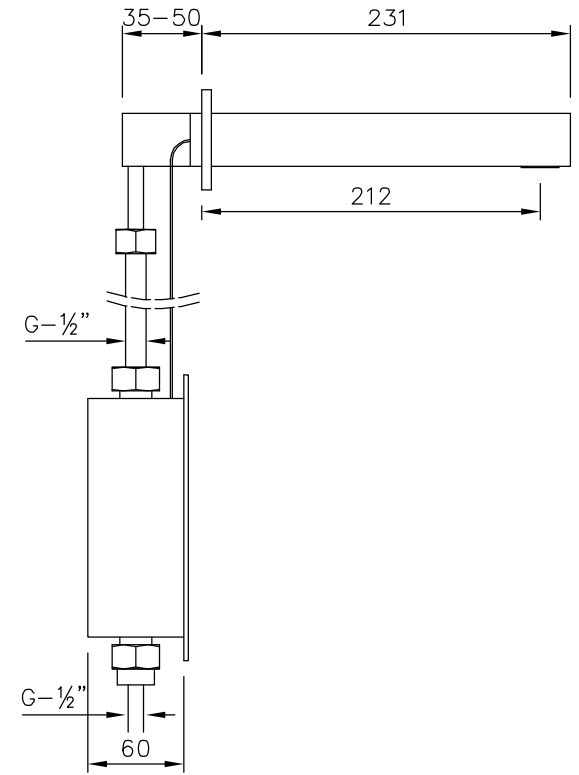
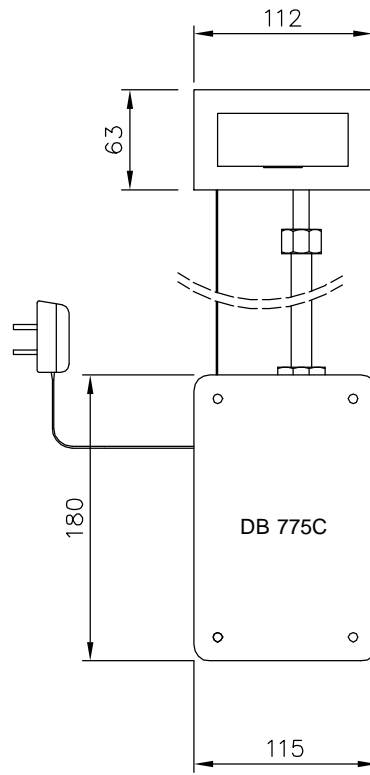
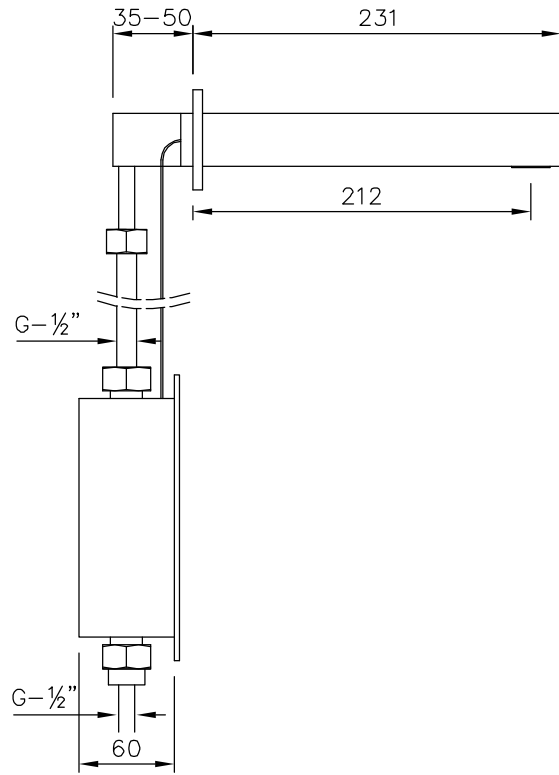
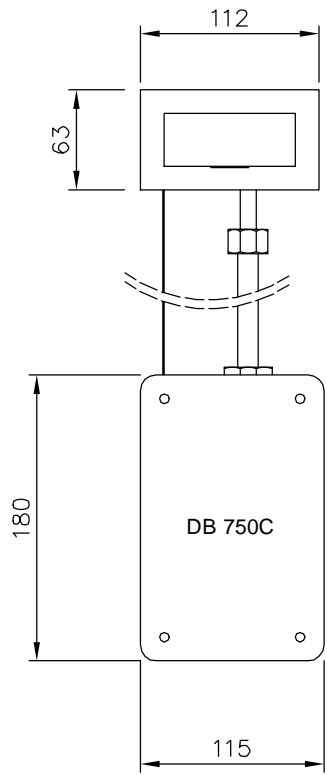


For more information go to [www.barbourproductsearch.info](http://www.barbourproductsearch.info)



BELL-CHEM PRODUCTS COMPANY  
DOLPHIN BLUE PANEL MOUNTED ELECTRONIC INFRARED TAP  
WITH RECESSED CONTROL BOX  
DB 750C/DB 775C