



Door Closer

DORMA TS 71

The inexpensive solution for standard doors – with quality assured

With the TS 71, DORMA has developed a door closer that rounds off its ClassicLine series perfectly. The ease and speed with which it can be fixed, the fact that its spring strength can be so easily adapted to the door size – by simply turning round the hinge plate – and

its competitive price should make it the ideal choice for your application.



Quality assured manufacture to DIN ISO 9001, EN 29001, BS 5750. Certified and verified by BSI Quality Assurance Reg.-No. Q 6423, FM 10756

Benefits

For the trade

- Increased stocking flexibility thanks to use of the standard ClassicLine series arm.
- Complements the ClassicLine series as a competitive model for standard doors.

For the installer/fabricator

- Non-handed design.
- Easy and quick to fix.

For the architect/specifier

- Competitive and reliable.
- Compact construction combined with classic design.

For the user

- Constant closing action virtually unaffected by temperature fluctuations.
- Optimum closing speed adjustment with two regulating valves.
- Reliable closing with adjustable latching action.

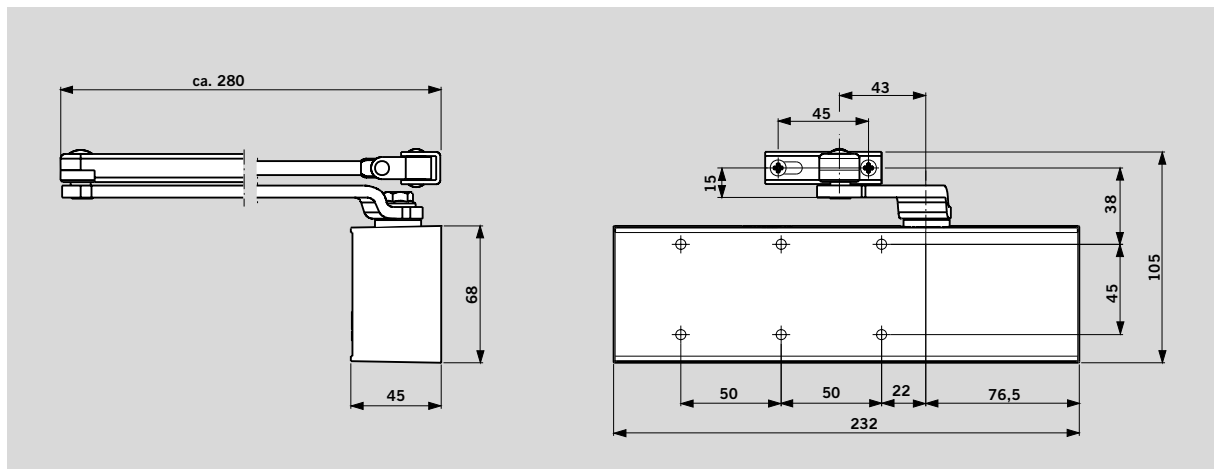
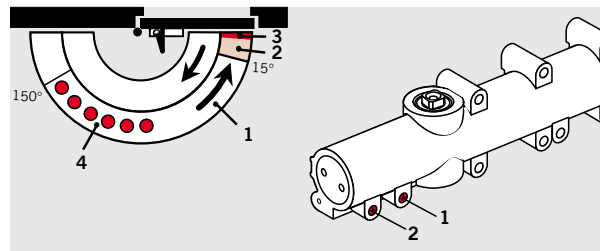
Data and features		TS 71
Spring strength (adjustable by turning round the hinge plate)	Size	EN 3/4
Standard doors	≤ 1100 mm ¹⁾	●
External doors, outward opening		–
Fire doors		●
Non-handed		●
Arm type	Standard	●
	Slide channel	–
Closing speed adjustable at 2 separate valves	180° – 15°	●
	15° – 0°	●
Latching action adjustable (by arm)		●
Backcheck		–
Delayed action		–
Hold-open		○
Weight in kg		1.2
Dimensions in mm	Length	232
	Overall depth	45
	Height	68
Door closer tested and approved to EN 1154		●

● Yes – No ○ Option

¹⁾With parallel-arm fixing, the closing force is approx. 20 Nm (for doors up to 950 mm)

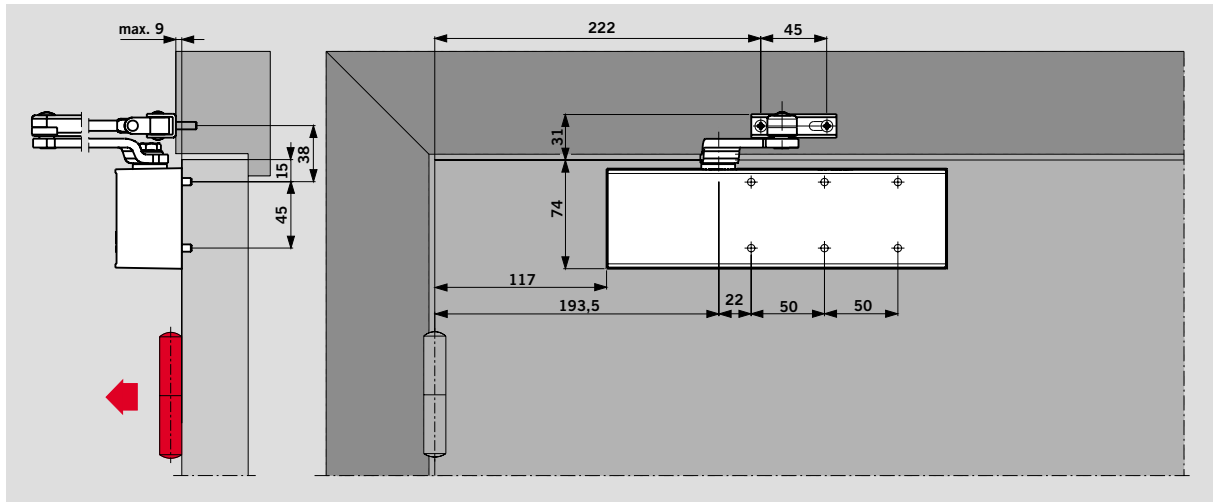
Standard and optional functions

- 1 Closing speed adjustable in the range 180° – 15°.
- 2 Closing speed adjustable in the range 15° – 0°.
- 3 Latching action.
- 4 Hold-open range for model with hold-open arm (optional extra).



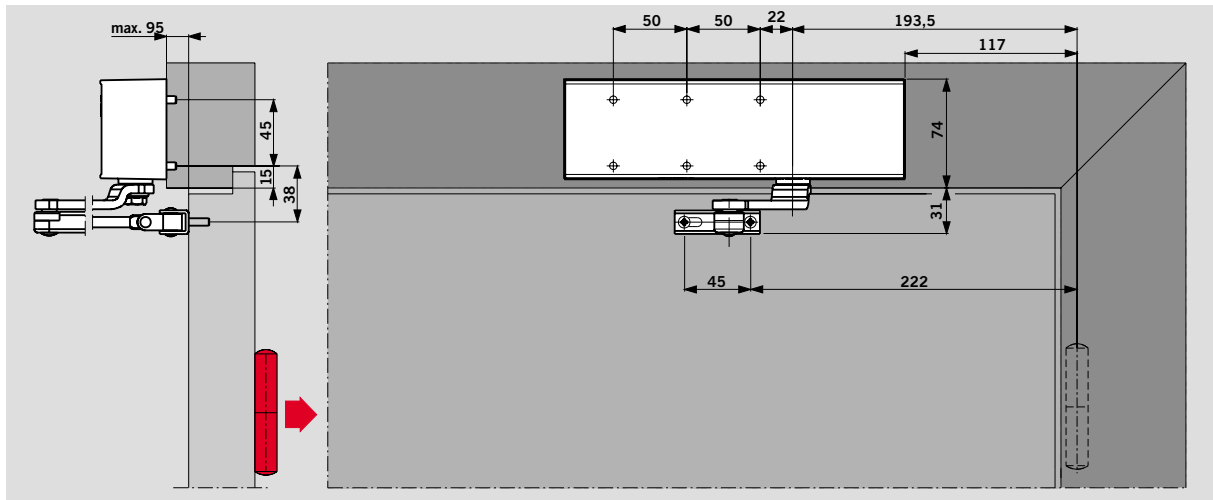
Door leaf fixing, pull side

(Example refers to left-hand [ISO 6] door; mirror image applies to right-hand [ISO 5] door)



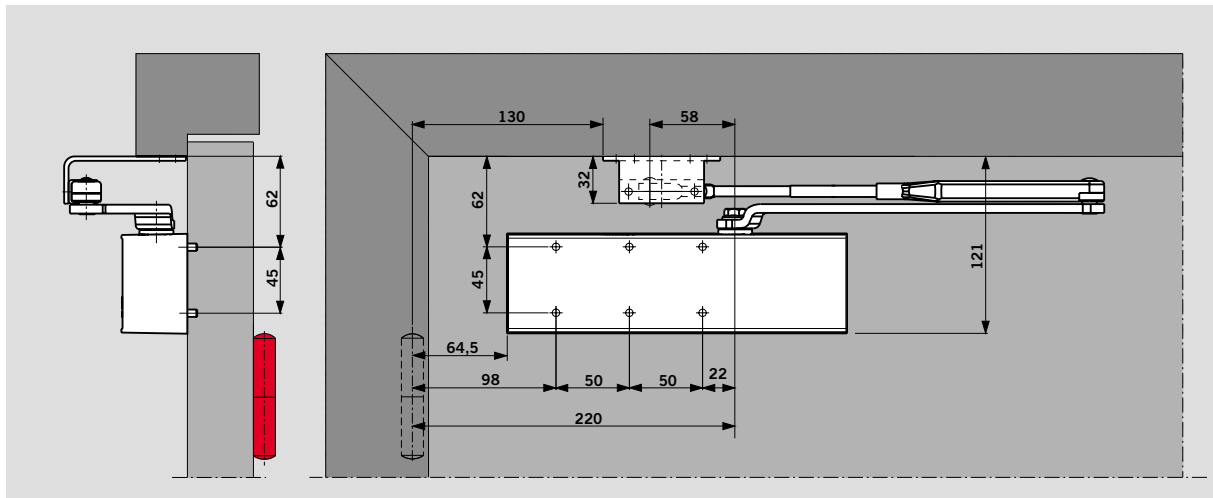
Transom fixing (overhead frame installation), push side

(Example refers to left-hand [ISO 6] door; mirror image applies to right-hand [ISO 5] door)



Parallel-arm fixing, push side

(Example refers to left-hand [ISO 6] door; mirror image applies to right-hand [ISO 5] door). Parallel-arm bracket (accessory) necessary

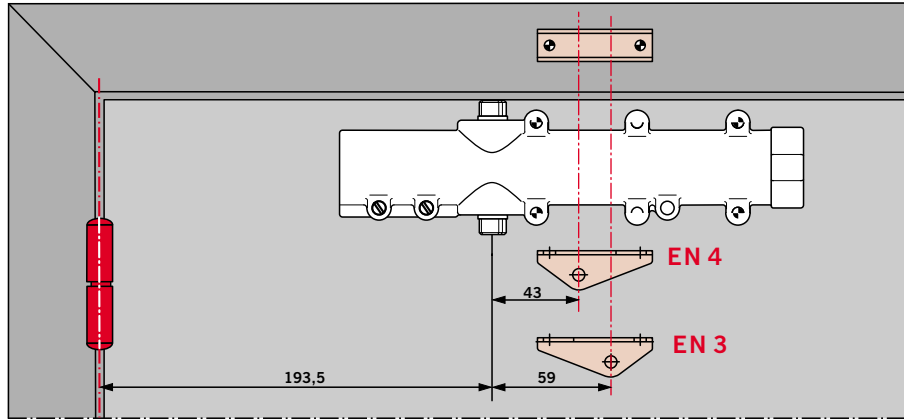


With this fixing method, the closing force is approx. 20 Nm (for doors up to 950 mm)

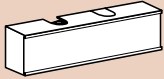



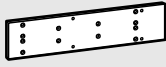
Closing force settings

Door width	Setting
≤ 950	EN 3
≤ 1100	EN 4

With the TS 71, the spring strength (size setting) of the closer is adjusted to the door width concerned by merely turning round the hinge plate.



Standard equipment and accessories

Order No.: <input type="checkbox"/> = Closer body with arm and fixing bracket for parallel-arm assembly # = Accessory	Closer body TS 71 	Standard arm 	Parallel-arm bracket 	Hold-open arm  220025xx	Mounting backplate  220021xx
Colour	xx	Size EN 3/4 (PA Size 3)	<input type="checkbox"/>	#	#
Silver	01	222124xx			
Dark brown	03				
White (sim. to RAL 9010)	10				
White (sim. to RAL 9016)	11				
Special colour	09				

Specification text

Rack-and-pinion door closer with adjustable closing force, size EN 3 or 4, closing speed adjustable in two independent ranges, with adjustable latching action. Non-handed. Tested and approved to EN 1154.

Model
 With standard arm and fixing bracket for parallel-arm assembly

Accessories
 Hold-open arm
 Mounting backplate

Colour
 Silver
 Dark brown
 White (sim. to RAL 9010)
 White (sim. to RAL 9016)
 Special colour _____ (sim. to RAL _____)

Make DORMA TS 71

DORMA Door Controls Ltd
 DORMA Trading Park
 Staffa Road
 GB-London E10 7QX
 Tel. 020 8558 8411
 Fax 020 8558 6122
 Email:
hardware@dorma-uk.co.uk
www.dorma-uk.co.uk

DORMA Door Controls Ltd
 19 Sandyford Office Park
 Foxrock
 IRL-Dublin 18
 Tel. 01 295 8280/1/2
 Fax 01 295 8584
 Email:
dormadublin@dorma.com

DORMA GmbH + Co. KG
 P.O. Box 4009
 D-58247 Ennepetal
 Germany
 Tel. +49(0)23 33/793-0
 Fax +49(0)23 33/79 34 95
www.dorma.com