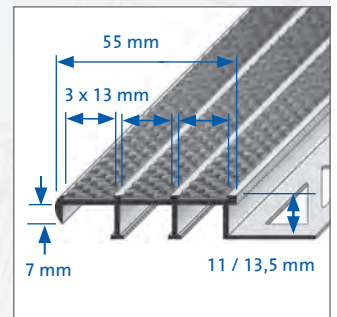
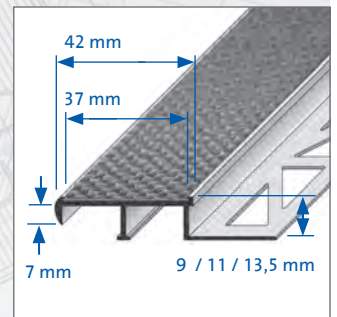
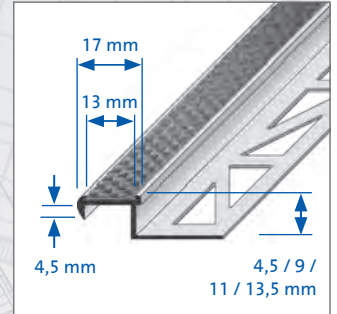
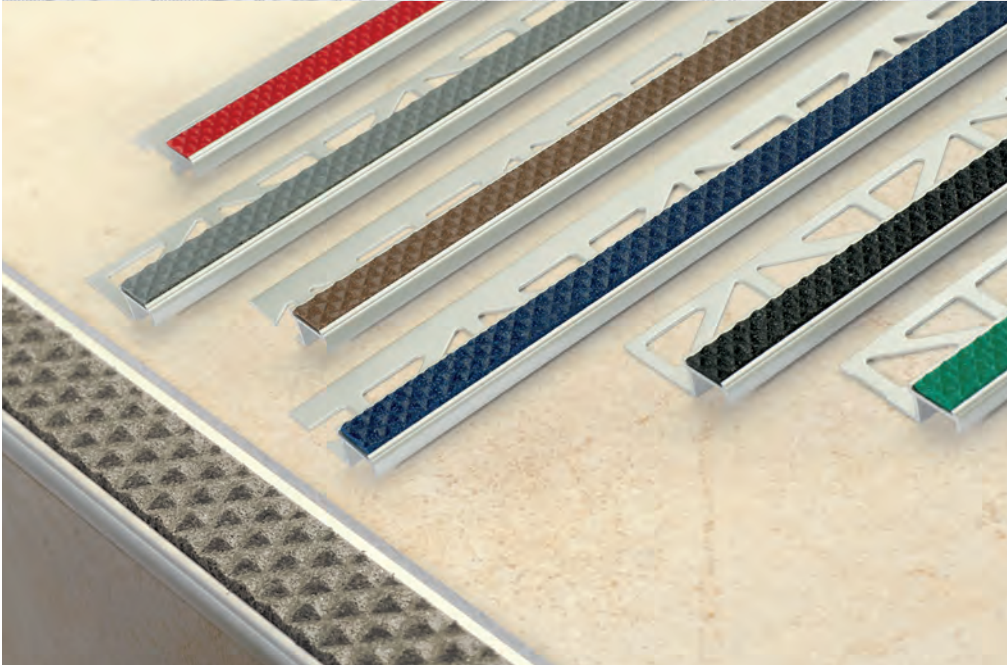


DIAMONDSTEP

1/2

Step-nosing profile for tiled surfaces with non-slip safety insert

DURAL



APPLICATION:

DIAMONDSTEP is a step-nosing profile made of anodised aluminium with an interchangeable non-slip insert made of PVC that has a robust anti slip surface. This step-nosing profile is used to create safe and attractive step edgings for both indoor and outdoor stairs.

DIAMONDSTEP can be used in private, public and business premises where there is moderate pedestrian traffic. It is used in combination with tiles, panels, natural stone and mosaic flooring, laid using the thin-bed method.

DIAMONDSTEP is a particularly slip-resistant step nosing profile that meets the requirements of BGR Leaflet 181 "Floors in working areas with slip hazards" published by HVGB (German Federation of Institutions for Statutory Accident Insurance and Prevention). The step-nosing profile also protects the edges of the steps against mechanical damage and ensures that they are highly visible, in line with the DIN 18040 / 1-2 regulations regarding barrier-free building (covering high-contrast step edgings, for example).

If the non-slip DIAMONDRED safety inserts are damaged or if a new colour scheme is required, for instance, they can be relatively easily replaced by new inserts, which are fixed in place with adhesive.

MATERIAL:

The DIAMONDSTEP step-nosing profile is made of anodised solid aluminium with a triaxially-punched bearing plate and a recess at the top for the DIAMONDRED non-slip safety insert. The front edge of the profile protrudes 4.5 / 7 mm beyond the edge of the step and overlaps the top edge of the riser below. The non-slip safety insert consists of a self-adhesive PVC insert that is 3 mm thick and 13 / 37 mm wide. It has a robust diamond-pattern surface structure that provides adequate slip-resistance.

INSTALLATION:

The DIAMONDSTEP step-nosing profiles are fixed in place during the tile-laying process, using flexible mortar in accordance with DIN EN 12004. The profiles must be fitted such that the entire tread area of the profile is in contact with the riser and the profile overhang extends over the

DURAL GmbH & Co. KG

Südring 11

D-56412 Ruppach-Goldhausen

Tel. +49 (0) 2602/9261-0

Fax +49 (0) 2602/9261-50

welcome@dural.de

DIAMONDSTEP

2/2

Step-nosing profile for tiled surfaces with non-slip safety insert

DURAL

top edge of the riser and sits flush against it. The top surface of the profile must be flush with the stair tread. A joint approximately 2 mm wide must be left between the tiles and the step-nosing profile and must be filled using a non-abrasive jointing mortar. Before filling the joints, the diamond-structure inserts should be covered using masking tape to protect them from soiling and minimise cleaning. All traces of adhesive or jointing materials must be removed from the anodised aluminium surfaces immediately to prevent irreversible corrosion stains.

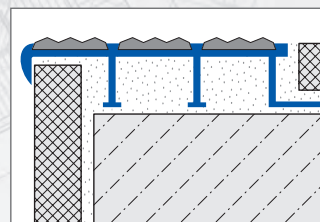
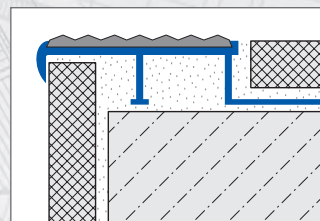
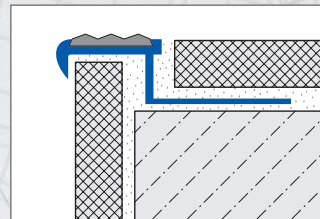
If profiles need to be shortened, they should be cut through using a fine metal saw (hacksaw) or a suitable fixed compound saw. The use of an angle grinder is not recommended. Profiles must always be cut at right angles and be properly finished. For inside and outside corners, the profiles must be cleanly cut at an angle to form mitred joints.

The DIAMONDSTRET profile inserts can be replaced, if required. Before fixing the new insert in the profile, the profile recess must be thoroughly cleaned using acetone to remove all residues from the aluminium surface.

For all products and materials, the following rules apply: The suitability of the product or material with regard to the level of mechanical and chemical exposure must be checked carefully in each case. The recognised rules of good engineering practice must always be observed.

CLEANING AND CARE:

DIAMONDSTEP profiles require no special cleaning or care. Cleaning agents must be free of salt, hydrofluoric acid and other aggressive additives and should not scratch the surface of the profiles. Only neutral cleaning agents with pH values of approximately 6–7.5 should be used. For general cleaning, we recommend the use of clean water with a small amount of detergent added. The DIAMONDSTRET profile inserts can be cleaned using a suitable brush.



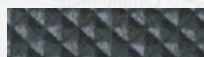
101 safety white



106 neutral black



102 safety orange



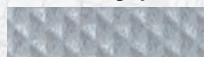
107 charcoal grey



111 royal blue



103 safety green



108 light grey



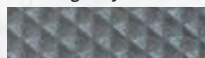
112 burgundy



104 safety red



109 rich brown



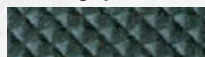
113 mid grey



105 safety blue



110 putty



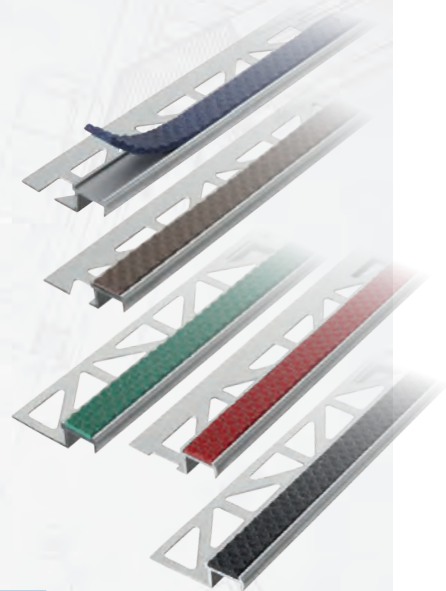
114 jade green



116 nightglow



117 super nightglow



PRODUCT DATA:

MATERIAL:	Profile = anodised aluminium; Insert = PVC
COLOUR OF DIAMONDSTRET INSERTS:	16 colours including luminous colours
SLIP RESISTANCE:	Work areas / work rooms: R10 / V6, Wet barefoot areas: Class B
PROFILE LENGTH:	250 cm
VISIBLE WIDTH:	Total width = 17 / 42 / 54 mm; Insert width = 1x13 / 3x13 / 1x37 mm
PROFILE HEIGHT:	1x13 = 4,5 / 9 / 11 / 13,5 mm; 1x37 = 9 / 11 / 13,5 mm; 3x13 = 11 / 13,5 mm
INTENDED PURPOSE:	Step-nosing profile with safety insert

DURAL GmbH & Co. KG

Südring 11

D-56412 Ruppach-Goldhausen

Tel. +49 (0) 2602/9261-0

Fax +49 (0) 2602/9261-50

welcome@dural.de