



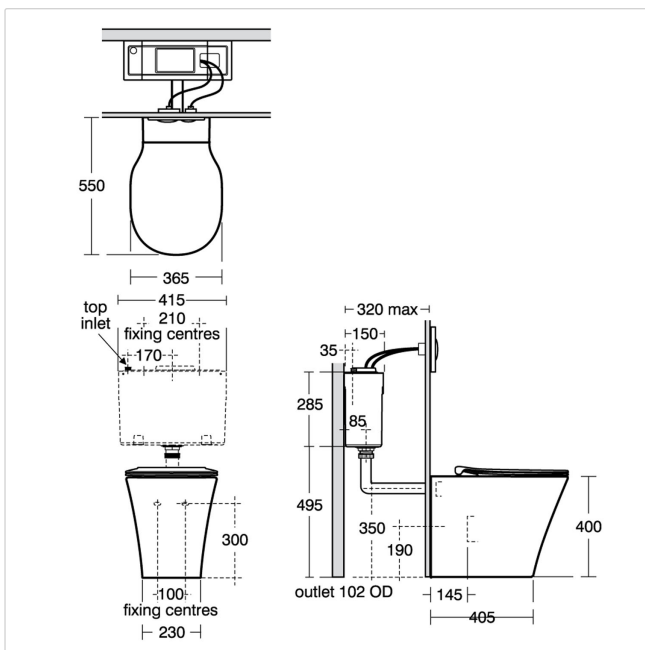
## Concept Air Back to Wall WC Suite

### Illustrated

- E0795** Concept Air back to wall wc pan with horizontal outlet with Aquablade technology
- S3643** Conceala 2 cistern 4.5/3 or 4/2.6 litre dual flush valve side supply and internal overflow, alternative height plastic flushbends, no flushplate
- E0811** Concept Air slim toilet seat and cover, slow close
- E4465** Karisma flush plate dual flush, branded for Conceala 2 cisterns, chrome

### Configuration options

- S3617** Conceala 2 cistern 4.5 or 6 litre single flush syphon side supply and internal overflow plastic flushbend, long CP lever
- E0809** Concept Air slim toilet seat and cover normal close
- E0812** Concept Air wrap style toilet seat and cover, normal close
- E0814** Concept Air wrap style toilet seat and cover, slow close



### Material

Vitreous China

### Weights

- E0795 23.12KG
- S3643 2.60KG
- E0811 2.10KG
- E4465 0.50KG

### Colours

White (01)

### Standards

Vitreous china to BS3402. WC pan to BS EN 997 and BS EN 33

### Special Notes

WC pan screwed to floor using concealed brackets(supplied). Joint to wall sealed with waterproof sealant (not supplied). Can be used with Concept Air furniture WC units.

### Designer

Robin Levien, RDI

### Frequently used applications

- |                    |                       |
|--------------------|-----------------------|
| Hotels             | Office                |
| Pubs and Clubs     | Residential           |
| Retail             | Social Housing        |
| Sports and Leisure | Student Accommodation |

### Features

Water Saving



Email: [info@idealspec.co.uk](mailto:info@idealspec.co.uk)  
 Tel: 0870 122 8822  
 Fax: 0870 122 8282  
 Web: [www.idealspec.co.uk](http://www.idealspec.co.uk)

