



Concept Air 50cm Wall Hung Vanity Unit

Illustrated

- E0817** Concept Air 50cm wall hung vanity unit with 1 drawer
E0765 Concept Air 50cm vanity washbasin, 1 taphole with overflow
B9915 Concept Blue washbasin mixer 1 hole with pop-up waste

Configuration options

Material

Lacquered MDF

Weights

E0817 14.00KG
E0765 12.00KG
B9915 1.89KG

Special Notes

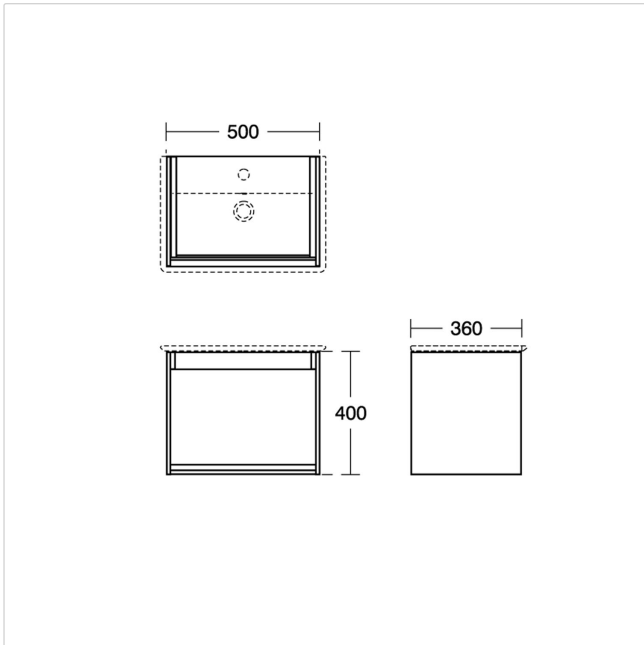
EN 14749:2005

Designer

Robin Levien, RDI

Colours

Gloss White & Matt White (B2)
Gloss Light Grey & Matt White (EQ)
Gloss White & Matt Grey (KN)
Wood Light Grey & Matt White (PS)
Wood Light Brown & Matt Light Brown (UK)
Gloss Dark Brown & Matt White (VY)



Frequently used applications

Hotels Office
Residential Retail

Features

Space Saving



Email: info@idealspec.co.uk
Tel: 0870 122 8822
Fax: 0870 122 8282
Web: www.idealspec.co.uk

