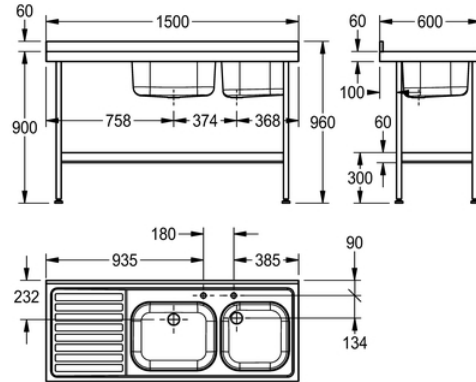


CATERING SINK: E20605L

E20605L | 2000100106

ARTICLE GROUP : E20605 ++ | ARTICLE FAMILY : Catering sinks | PRODUCT GROUP : Catering



Mini sinks are manufactured from 1.2mm thick austenitic grade stainless steel polished to a satin finish. E20605 and E20606 have the larger bowl fitted with a 38mm waste, plug, chain and overflow and the smaller outer bowl supplied with a 38mm basket strainer waste outlet. Models E20605L/R and E20606L/R are both drilled for mixer taps only - see illustrations opposite. An earthing lug is fitted under the drainer. Stainless steel underframes complete with shelf are to be ordered as an extra part and are supplied in a flat pack form with easy to read assembly instructions. Each leg is fitted with an adjustable foot (-20, +10mm) with a working height of 900mm.

LH Single drainer

TECHNICAL DATA

| | |
|----------------------------------|--------------------------------|
| | |
| bowl - bowl depth | 250.00 mm |
| | |
| bowl finish | satin finished |
| | |
| bowl - depth | 500.00 mm |
| | |
| bowl - width | 400.00 mm |
| | |
| drainer position | left |
| | |
| drainer or storage | drainer |
| | |
| drainer / storage board quantity | 1 |
| | |
| gross weight | 17.30 kg |
| | |
| material | stainless steel |
| | |
| material code | 1.4301 Chrome Nickel steel V2A |
| | |
| material thickness | 1.20 mm |
| | |
| overall depth | 600.00 mm |
| | |
| overall height | 900.00 mm |
| | |
| overall width | 1,500.00 mm |
| | |
| surface finish | satin finished |
| | |
| tap ledge | yes |
| | |
| type of mounting | floor mounting |
| | |
| waste hole position | centre back |
| | |
| waste hole projection | 232.00 mm |
| | |
| waste size | DN 40 |
| | |
| net weight | 17.30 kg |
| | |

CATERING SINK: E20605L

E20605L | 2000100106

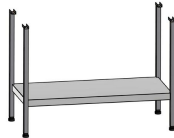
ARTICLE GROUP : **E20605 ++** | ARTICLE FAMILY : **Catering sinks** | PRODUCT GROUP : **Catering**

ACCESSORY



TAP: F1026

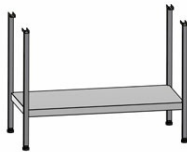
2000100345



UNDERFRAME

2000100528

RECOMMENDED PRODUCT



UNDERFRAME

2000100528
