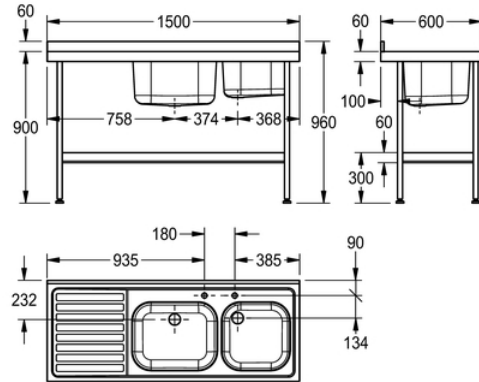


CATERING SINK: E20606L

E20606L | 2000100108

ARTICLE GROUP : E20606 ++ | ARTICLE FAMILY : Catering sinks | PRODUCT GROUP : Catering



Mini sinks are manufactured from 1.2mm thick austenitic grade stainless steel polished to a satin finish. E20605 and E20606 have the larger bowl fitted with a 38mm waste, plug, chain and overflow and the smaller outer bowl supplied with a 38mm basket strainer waste outlet. Models E20605L/R and E20606L/R are both drilled for mixer taps only - see illustrations opposite. An earthing lug is fitted under the drainer. Stainless steel underframes complete with shelf are to be ordered as an extra part and are supplied in a flat pack form with easy to read assembly instructions. Each leg is fitted with an adjustable foot (-20, +10mm) with a working height of 900mm.

LH Single drainer

TECHNICAL DATA

bowl - bowl depth	300.00 mm
bowl finish	satin finished
bowl - depth	500.00 mm
bowl - width	400.00 mm
drainer position	left
drainer or storage	drainer
drainer / storage board quantity	1
gross weight	17.70 kg
material	stainless steel
material code	1.4301 Chrome Nickel steel V2A
material thickness	1.20 mm
overall depth	600.00 mm
overall height	900.00 mm
overall width	1,500.00 mm
surface finish	satin finished
tap ledge	yes
type of mounting	floor mounting
waste hole position	centre back
waste hole projection	232.00 mm
waste size	DN 40
net weight	17.70 kg

CATERING SINK: E20606L

E20606L | 2000100108

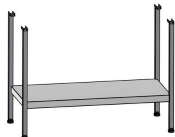
ARTICLE GROUP : **E20606 ++** | ARTICLE FAMILY : **Catering sinks** | PRODUCT GROUP : **Catering**

ACCESSORY



TAP: F1026

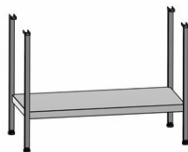
2000100345



UNDERFRAME

2000100528

RECOMMENDED PRODUCT



UNDERFRAME

2000100528
