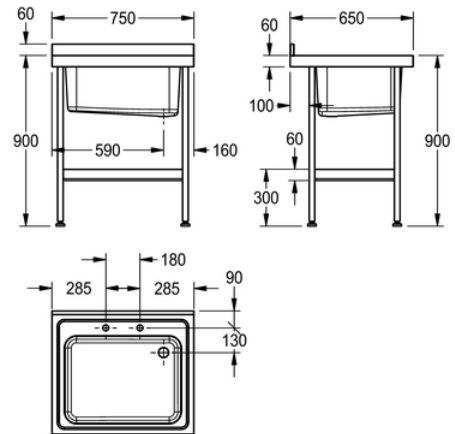


# CATERING SINK: E20608N

E20608N | 2000100110

ARTICLE GROUP : **E20608N** | ARTICLE FAMILY : **Catering sinks** | PRODUCT GROUP : **Catering**



Midi sinks are manufactured from 1.2mm thick austenitic grade stainless steel polished to a satin finish. All sinks have two tapholes behind each bowl drilled at 180mm centres. Single bowl sinks are suitable for either 13mm pillar taps or mixer taps whereas the double bowl sinks are only suitable for pillar taps. Bowls are all supplied with 38mm waste and standpipe strainer overflow. An earthing lug is fitted under the drainer. Stainless steel underframes complete with shelf are to be ordered as an extra part and are supplied in a flat pack form with easy to read assembly instructions. Each leg is fitted with an adjustable foot (-20, +10mm) with a working height of 900mm.

Single bowl

## TECHNICAL DATA

bowl - bowl depth	300.00 mm
bowl finish	satin finished
bowl - depth	610.00 mm
bowl - width	460.00 mm
drainer or storage	no
gross weight	12.80 kg
material	stainless steel
material code	1.4301 Chrome Nickel steel V2A
material thickness	1.20 mm
overall depth	650.00 mm
overall height	900.00 mm
overall width	750.00 mm
rear upstand	yes
surface finish	satin finished
tap ledge	yes
type of mounting	floor mounting
waste hole position	right back corner
waste hole projection	220.00 mm
waste size	DN 40
net weight	12.80 kg

# CATERING SINK: E20608N

E20608N | 2000100110

ARTICLE GROUP : **E20608N** | ARTICLE FAMILY : **Catering sinks** | PRODUCT GROUP : **Catering**

---

## ACCESSORY

---



---

**TAP: F1026**

---

2000100345

---



---

**TAP: F1081**

---

2000100388

---



---

**TAP: F1083**

---

2000100389

---