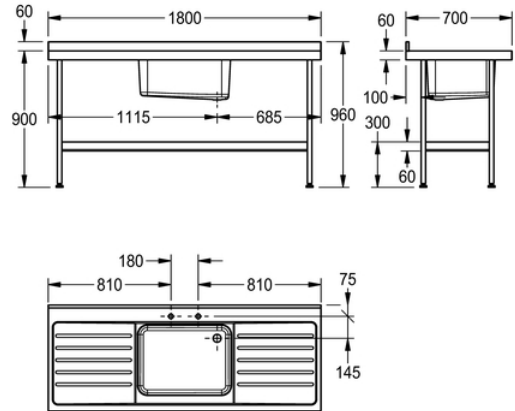
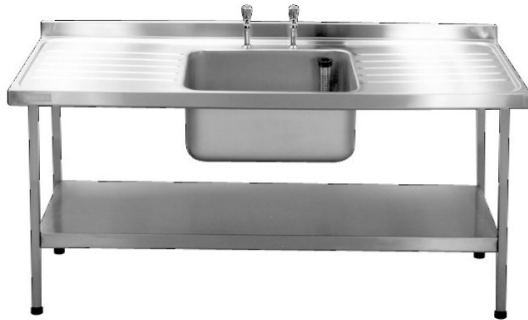


CATERING SINK: E20624D

E20624D | 2000100121

ARTICLE GROUP : E20624D | ARTICLE FAMILY : Catering sinks | PRODUCT GROUP : Catering



Magnum sinks are manufactured from 1.2mm thick austenitic grade stainless steel polished to a satin finish. Bowls are all supplied with 38mm waste and standpipe strainer overflow. All sinks have two tapholes behind each bowl drilled at 180mm centres. Single bowl sinks are suitable for either 13mm pillar taps or mixer taps whereas the double bowl sinks are only suitable for pillar taps. An earthing lug is fitted under the drainer. Stainless steel underframes complete with shelf are to be ordered as an extra part and are supplied in a flat pack form with easy to read assembly instructions. Each leg is fitted with an adjustable foot (-20, +10mm) with a working height of 900mm.

Single bowl, double drainer

TECHNICAL DATA

| | |
|-----------------------|--------------------------------|
| bowl - bowl depth | 300.00 mm |
| bowl finish | satin finished |
| bowl - depth | 610.00 mm |
| bowl - width | 460.00 mm |
| drainer position | left & right |
| drainer or storage | drainer |
| gross weight | 19.90 kg |
| material | stainless steel |
| material code | 1.4301 Chrome Nickel steel V2A |
| material thickness | 1.20 mm |
| overall depth | 700.00 mm |
| overall height | 900.00 mm |
| overall width | 1,800.00 mm |
| rear upstand | yes |
| surface finish | satin finished |
| tap ledge | yes |
| type of mounting | floor mounting |
| waste hole position | right back corner |
| waste hole projection | 220.00 mm |
| waste size | DN 40 |
| net weight | 19.40 kg |

CATERING SINK: E20624D

E20624D | 2000100121

ARTICLE GROUP : **E20624D** | ARTICLE FAMILY : **Catering sinks** | PRODUCT GROUP : **Catering**

ACCESSORY



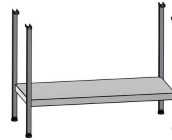
TAP: F1081

2000100388



TAP: F1083

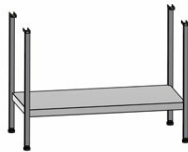
2000100389



UNDERFRAME

2000100530

RECOMMENDED PRODUCT



UNDERFRAME

2000100530
