

Model No : EDV-FS-BP (Large)

Overview

The Eau de Vie “FS-BP model ” is a self contained, wheeled unit that is available with a single ‘push button’ dispense tap or dual-headed ‘lever’ tap. Stylishly designed, the unit will filter the mains water to supply a fresh filtered still and carbonated, chilled, product on tap.

Filters and cooling chambers are hidden inside but remain easily accessible from the door at the front.

The unit is designed to dispense directly into glasses or Eau De Vie bottles which are distinguishable as still or sparkling water due to the bottle cap design.

Features

- Stylish
- Capable of supplying quality fresh filtered water
- Water is supplied chilled with the option of still and sparkling
- Aesthetically pleasing when sited front of House
- Easy access for changing filters
- Simple to install
- Free standing - plug & play
- Reinforced top
- Optional UV filter which kills bacteria which may be in the mains water
- Capacity of up to 150 litres of fresh filtered still water per hour
- Standard dimensions - 500(w) x 525(d) x 919(h) (1487(h) with tap)



Simple plug and play design for ease of installation, connects to mains cold water supply and plugs into a standard 13 amp socket. Supplied with built in water filters to provide premium quality tasting water.

The unit requires connection to a CO² cylinder which is housed inside the unit and supplied by gas suppliers.

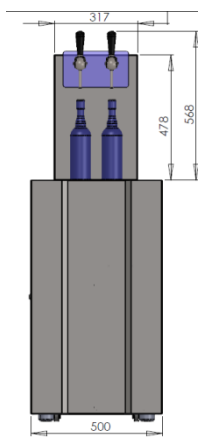
Benefits

- Free up valuable storage space
- Improved profits compared to bottled water
- Eco friendly
- Reduced environmental impact compared to transporting bottled water
- Reusable Eau De Vie branded bottles reduces waste disposal & recycling costs
- Provide added value to customers and employees
- Easy to operate by non skilled staff
- Hygienic and easy to keep clean
- A font for all occasions – chilled fresh filtered still & sparkling water

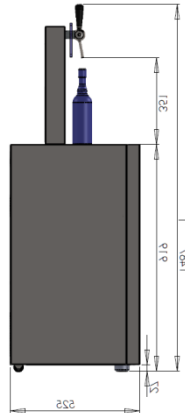
Accessories

- Racks specifically designed for bottle washing
- Six bottle carrier
- Rack transportation dollies
- Branded 750ml or 500ml glass bottles
- Shrink wrap seals
- “Still” Silver bottle top
- “Sparkling” Gold bottle top
- Branded paper cups
- Branded paper cup dispenser
- Branded aluminium water flasks
- Filters
- Sanitizing spray bottles (6 x 750 ml)
- Clear bottle collar “Still”
- Clear bottle collar “Sparkling”

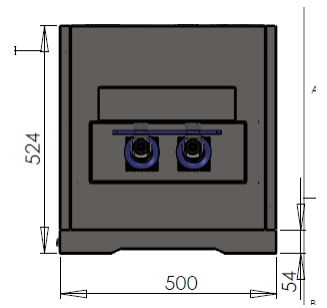
Model No : EDV-FS-BP



Do not Scale



Do not Scale



Do not Scale

Dimensions (CAD blocks available upon application (00 44 (0)1908 359 000))

- Width
- Depth
- Height (including wheels and tap)
- Height (excluding Tap)

500 mm
525 mm
1487 mm
919 mm

Water Connection

- Cold water mains potable supply
- Water Pressure
- Excess spillage into drip tray

¾ BSP Isolator (3/4 BSP-3/8 Adaptor required)
Min 1.5 /Max 3.5 Bar
(No drainage required)

Electrical Connection

- Mains Supply
- Run Current
- Start Current
- Fuse at
- Supply Lead

230 V 1Ph 50 Hz Rated input 800 Watts
3.47 Amps
7.0 Amps
10 Amps
2M Mains Cable 3 Pin UK Plug

Refrigeration Performance

- Ice bank weight
- Maximum ambient temperature
- Refrigerant type/charge

11.5 Kg Nominal
32°C
R134a

Weight

- Packed
- Unpacked
- Operational

135.5 kg
128.5 kg
138.5 kg

Capacities based on incoming water temperatures

Model Type	Incoming Water Temperature (°C)	Filtered Still Water Capacity Per Hour (Litres)	Filtered Still Water Capacity Per Hour (750ml Bottles)	Filtered Still Water Capacity Per Hour (500ml Bottles)	Filtered Sparkling Water Capacity Per Hour (Litres)	Filtered Sparkling Water Capacity Per Hour (750ml Bottles)	Filtered Sparkling Water Capacity Per Hour (500ml Bottles)
EDV-LF	10	100	133	200	100	133	200
	12	100	133	200	100	133	200
	15	90	120	180	55	73	110