

# Model No : EDV-TT-BP

## Overview

The Eau de Vie “TT model ” is designed to be table mounted, for use in sites such as bars, restaurants, offices, hotels, conference facilities and hospitals. Compact in design, so ideal where space is at a premium the unit will filter the mains water to supply a fresh filtered still and carbonated, chilled, product on tap.

The EDV TT comes complete with an integral filter to ensure great tasting water. The water filter reduces chlorine, odours, bad taste, particles and health contaminants

The unit is designed to dispense directly into glasses or Eau De Vie bottles which are distinguishable as still or sparkling water due to the bottle cap design.

## Features

- Compact
- Capable of supplying quality fresh filtered water
- Water is supplied chilled still and sparkling
- Aesthetically pleasing when sited front of House
- Easy access for changing filters
- Simple to install
- Free standing - plug & play
- Optional UV filter which kills bacteria which may be in the mains water
- Capacity of up to 80 litres of fresh filtered still water per hour not continuous
- Standard dimensions including drip tray - 360(w) x 574(d) x 502(h)566 with taps



Simple plug and play design for ease of installation, connects to mains cold water supply and plugs into a standard 13 amp socket. Supplied with built in water filter to provide premium quality tasting water.

**The unit requires connection to an external CO<sup>2</sup> cylinder, supplied by gas suppliers and sited external to the unit within a cupboard or undercounter.**

## Benefits

- Free up valuable storage space
- Improved profits compared to bottled water
- Eco friendly
- Easy to position where space is limited
- Reduced environmental impact compared to transporting bottled water
- Reusable Eau De Vie branded bottles reduces waste disposal & recycling cost
- Provide added value to customers and employees
- Easy to operate by non skilled staff
- Hygienic and easy to keep clean
- A font for all occasions – chilled fresh filtered still & sparkling water

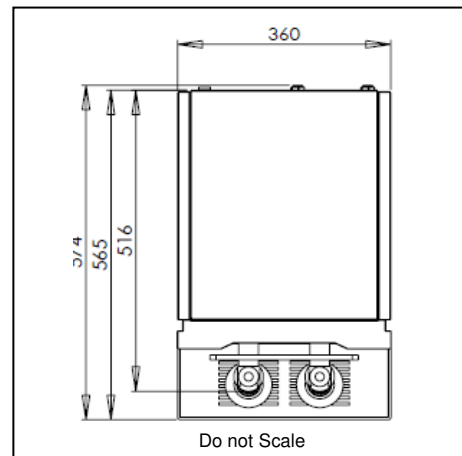
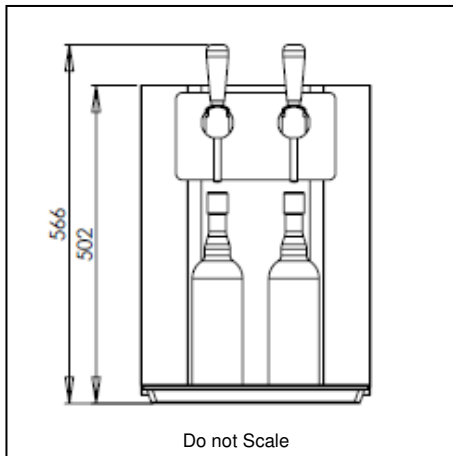
## Accessories

- Racks specifically designed for bottle washing
- Six bottle carrier
- Rack transportation dollies
- Branded 750ml or 500ml glass bottles
- “Still” Silver bottle top
- “Sparkling” Gold bottle top
- Branded paper cups
- Branded paper cup dispenser
- Branded aluminium water flasks
- Filters
- Sanitizing spray bottles (6 x 750 ml)
- Bottle seal “Still”
- Bottle seal “Sparkling”

# Model No : EDV-TT-BP

**EAUdeVIE®**

fresh filtered still & sparkling water systems



## Dimensions (CAD blocks available upon application (00 44 (0)1908 359 000)

• Width	360 mm
• Depth (Excluding Drip Tray)	496 mm
• Depth (Including Drip Tray)	574 mm
• Height (Main Unit)	502 mm
• Height (Including Taps)	566 mm

## Water Connection

• Cold water mains potable supply	¾ BSP Isolator
• Water Pressure	Min 1.5 /Max 3.5 Bar
• Excess spillage into drip tray	(No drainage required)

## Electrical Connection

• Mains Supply	230 V 1Ph 50 Hz
• Run Current	5.1 Amps
• Start Current	10.7 Amps
• Fuse at	10 Amps
• Supply Lead	2M Mains Cable 3 Pin UK Plug

## Refrigeration Performance

• Ice bank weight	5 Kg Nominal
• Maximum ambient temperature	32 °C
• Refrigerant type/charge	R290

## Weight

• Packed	35 kg
• Unpacked	34 kg
• Operational	40kg

## Capacities based on incoming water temperatures

Model Type	Incoming Water Temperature (°C)	Filtered Still Water Capacity Per Hour (Litres)	Filtered Still Water Capacity Per Hour (750ml Bottles)	Filtered Still Water Capacity Per Hour (500ml Bottles)	Filtered Sparkling Water Capacity Per Hour (Litres)	Filtered Sparkling Water Capacity Per Hour (750ml Bottles)	Filtered Sparkling Water Capacity Per Hour (500ml Bottles)
EDV-TT	10	50	66	100	50	66	100
	12	45	60	90	45	60	90
	15	40	53	80	25	33	50



Classeq, Roebuck Way, Knowlhill, Milton Keynes, MK5 8WH.  
 Telephone: 00 44 (0)1908 359000 Fax: 00 44 (0)1908 359060  
 Email: [sales@classeq.co.uk](mailto:sales@classeq.co.uk) [www.eaudevie.com](http://www.eaudevie.com)

Part of the Winterhalter group of companies