

## PURPOSE OF USE

Drainage channel cover für MEA Drainage channel, as a component for the line drainage of surfaces in order to collect, transport and discharge rainwater from adjacent fixed surfaces.

## DESIGNS

Material

/ Cast iron

Design

/ Slotted grating

## ACCESSORIES

/ Grating protection

\*\* Not suitable for the diagonal or transverse travel of motorways and highways.

# MEA EN 200 4-FOLD BOLTED CHANNEL COVERS

D 400\*\*, E 600\*\*, F 900\*\*

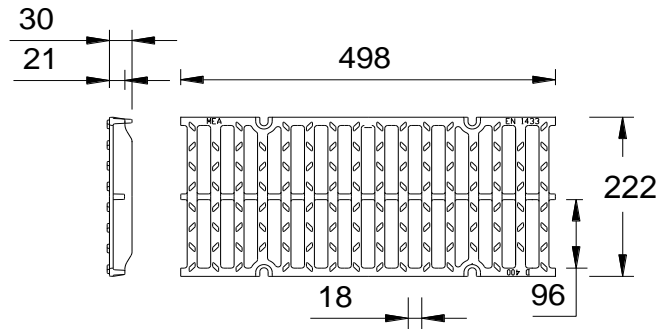
nominal width 200



BUILDING SUCCESS

## MEA EN 200 4-FOLD BOLTED CHANNEL COVERS

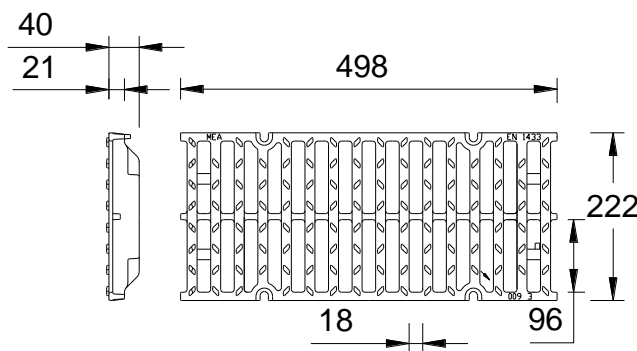
With 4-fold bolted channel securement. Suitable for the system **MEADRAIN EN 2000**, grating protection optionally available. For drainage channel body and gully, total width of the grates 222 mm.



010154236

### LOADING CLASS D 400\*\* ACCORDING TO EN 1433, 4-FOLD BOLTED FOR MEA TSH 200 INSPECTION ELEMENT UPPER PART

Description	Order No.	Material	In-feed Ø cm <sup>2</sup> /m	Length [mm]	kg/piece
MEA EN 200 Ductile iron slotted grating-D 400-0,5 m 18/96 bolted	010154236	Ductile iron	962	500	7,40



010154124

### LOADING CLASS E 600\*\* ACCORDING TO EN 1433, 4-FOLD BOLTED

Description	Order No.	Material	In-feed Ø cm <sup>2</sup> /m	Length [mm]	kg/piece
MEA EN 200 Ductile Iron slotted grating-E 600-0,5 m 18/96 bolted	010154124	Ductile iron	962	500	8,70

\*\* Not suitable for the diagonal or transverse travel of motorways and highways.

\*\*\*\* The surface coating of ductile iron parts only has a temporary and cosmetic function. Ductile iron is virtually impervious to surface oxidation from environmental influences (e.g. thawing salt). Superficial rust does not constitute a product defect. Of course, the resignation of surface coating is in accordance with all corresponding standards

# MEA EN 200 4-FOLD BOLTED CHANNEL COVERS

D 400\*\*, E 600\*\*, F 900\*\*

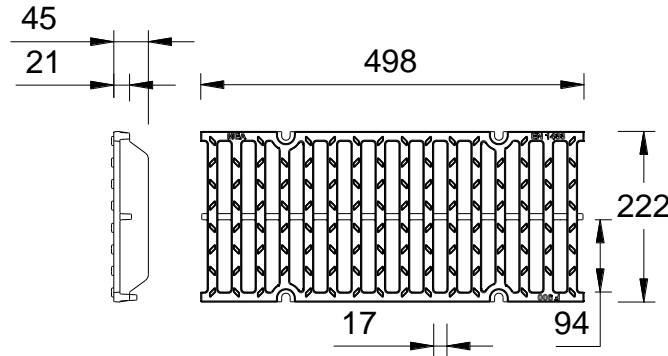
nominal width 200



BUILDING SUCCESS

## MEA EN 200 4-FOLD BOLTED CHANNEL COVERS

With 4-fold bolted channel securement. Suitable for the system **MEADRAIN EN 2000**, grating protection optionally available. For drainage channel body and gully, total width of the grates 222 mm.



010154237

## LOADING CLASS F 900 ACC. TO EN 1433, 4-FOLD BOLTED

Description	Order No.	Material	In-feed Ø cm <sup>2</sup> /m	Length [mm]	kg/piece
MEA EN 200 Ductile iron slotted grating-F 900-0,5 m 17/94 bolted	010154237	Ductile iron	960	500	11,60

## GRATING FIXATION

Description	Order No.	Material	kg/piece
MEADRAIN EN Galv. grating locking mechanism for all grating widths, 4 pieces/grating with 20NM torque will be needed	010153096	Black galv.	0,02
MEADRAIN EN Stainl. steel grating locking mechanism for all grating widths, 4 pieces/grating with 20NM torque will be needed	010153098	Stainl. steel	0,02

\*\* Not suitable for the diagonal or transverse travel of motorways and highways.

\*\*\*\* The surface coating of ductile iron parts only has a temporary and cosmetic function. Ductile iron is virtually impervious to surface oxidation from environmental influences (e.g. thawing salt). Superficial rust does not constitute a product defect. Of course, the resignation of surface coating is in accordance with all corresponding standards

This edition of the technical data sheet shall be valid from November 2020 until a revised version is published and replaces any previous publications. The respectively current version is available for download at [www.mea-group.com](http://www.mea-group.com).

MEA Bautechnik GmbH  
 Business Unit Water Management  
 Sudetenstraße 1  
 86551 Aichach  
 Tel.: +49 (0) 82 51. 91 0  
 Fax: +49 (0) 82 51. 91 13 06  
 E-Mail: [info@mea-group.com](mailto:info@mea-group.com)  
[www.mea-group.com](http://www.mea-group.com)