

MATERIAL CHARACTERISTICS

POLYMER CONCRETE	On a Polyester resin basis, with mineral fillers, additives
COMPRESSIVE STRENGTH	≥ 90 N/mm ²
BENDING STRENGTH	≥ 22 N/mm ²
ELASTICITY MODULE	25.000 – 35.000 N/mm ²
DENSITY	2,1 – 2,3 kg/dm ³
COEFFICIENT OF LINEAR EXPANSION	Approx. 1,45 x 10 ⁻⁵ 1/K
HEAT RESISTANCE	100°C continuous load, up to 200°C with a load duration up to 5 min.
FROST RESISTANCE	- 50°C
WATER ABSORPTION	< 0,05% DIN 52 103 (A)

PURPOSE OF USE

Component for the line drainage of surfaces in order to collect, transport and discharge rain water from adjacent fixed surfaces.

**) Not suitable for the diagonal or transverse travel of motorways and highways.

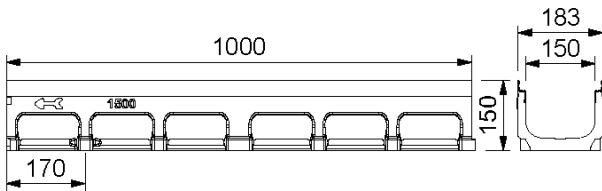
MEADRAIN SVS / SES / SGS 1500

A 15, B 125, C 250, D 400**, E 600**

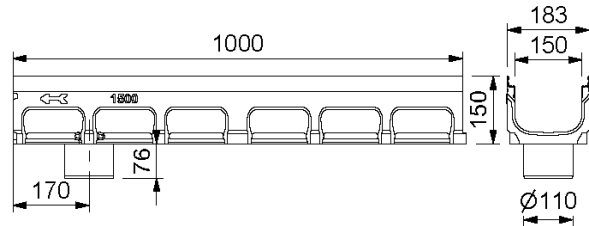
Nominal width 150

MEADRAIN SVS 1500 POLYMER CONCRETE DRAINAGE CHANNEL WITH EDGE PROTECTION MADE OF GALVANISED STEEL, SEALING JOINT ACCORDING TO EN 1433

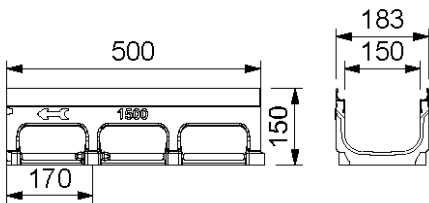
Clear width of the channel body 150 mm, total width 183 mm. Suitable for all channel covers **MEA 150 CLIPFIX** and **TOPSLOTS TSH 150** with longitudinal shift protection. Loading classes A 15 to E 600** according to EN 1433. Loading capacity according to specification when installed according to the MEA installation instructions.



010713840



010713844



010713842

MEADRAIN SVS 1500 DRAINAGE CHANNEL BODY WITHOUT FALL, LOADING CLASS E 600 ACCORDING TO EN 1433 **)

Description	Order No.	Length [mm]	Construction height [mm]	kg/unit
MEADRAIN SVS 1500.0 Drainage channel body 4) **)	010713840	1000	150	16,41
MEADRAIN SVS 1500.0/A Drainage channel with tight formed-in flanged drain outlet Ø 110 mm 8) **)	010713844	1000	150	22,00
MEADRAIN SVS 1500.1 Drainage channel body 4) **)	010713842	500	150	7,80

**) Not suitable for the diagonal or transverse travel of motorways and highways.

4) Connection option for vertical drain Ø 110 mm or to end caps with connector or to gullies / silt boxes.

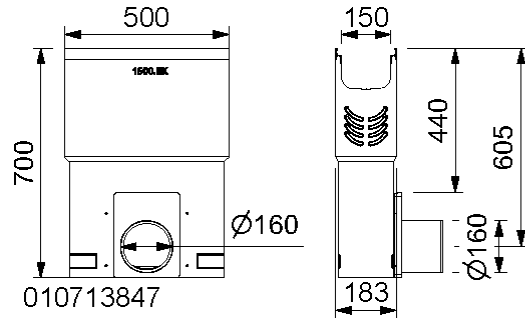
8) With tight formed-in drain outlet Ø 110 mm.

MEADRAIN SVS / SES / SGS 1500

A 15, B 125, C 250, D 400**, E 600**

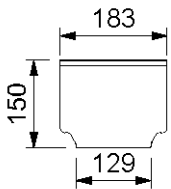
Nominal width 150

MEADRAIN SVS 1500 ACCESSORIES

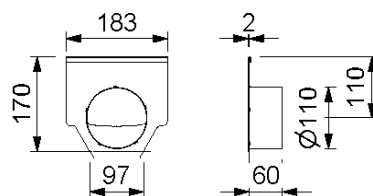


MEADRAIN SVS 1500 GULLY INCL. PLASTIC SEDIMENT BUCKET **)

Description	Order No.	Length [mm]	Construction height [mm]	kg/unit
MEADRAIN SVS 1500.EK160 silt box incl. sediment bucket, for pipe connection Ø 160 mm, open on both sides for construction height 150 mm **)	010713847	500	700	37,90



010713850



010713852

MEADRAIN SVS/SGS 1500 END CAPS

Description	Order No.	Construction height [mm]	Material	kg/unit
MEADRAIN SVS/SGS 1500.SE End cap for channel start/end, closed, fixed height **)	010713850	150	Galv. steel	0,22
MEADRAIN SVS/SGS 1500.E End cap for channel end with connector Ø 110 mm, fixed height **)	010713852	170	Galv. steel	0,53

**) Not suitable for the diagonal or transverse travel of motorways and highways.

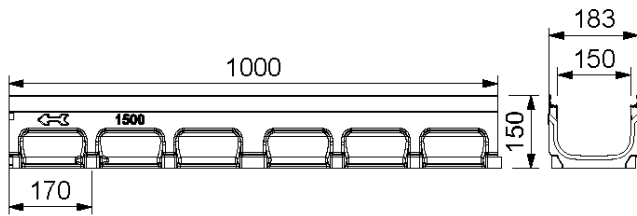
MEADRAIN SVS / SES / SGS 1500

A 15, B 125, C 250, D 400**, E 600**

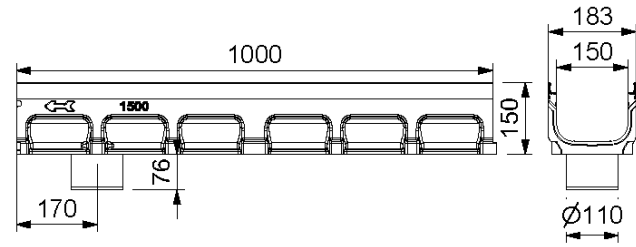
Nominal width 150

MEADRAIN SES 1500 POLYMER CONCRETE DRAINAGE CHANNEL WITH EDGE PROTECTION MADE OF STAINLESS STEEL, SEALING JOINT ACCORDING TO EN 1433

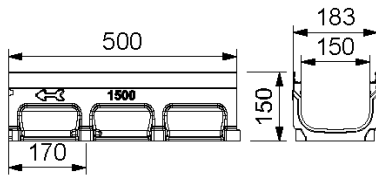
Clear width of the channel body 150 mm, total width 183 mm. Suitable for all channel covers **MEA 150 CLIPFIX** and **TOPSLOTS TSH 150** with longitudinal shift protection. Loading classes A 15 to E 600** according to EN 1433. Loading capacity according to specification when installed according to the MEA installation instructions.



010713854



010713858



010713856

MEADRAIN SES 1500 DRAINAGE CHANNEL BODY WITHOUT FALL, LOADING CLASS E 600 ACCORDING TO EN 1433 **)

Description	Order No.	Length [mm]	Construction height [mm]	kg/unit
MEADRAIN SES 1500.0 Drainage channel body 4) *) **)	010713854	1000	150	22,00
MEADRAIN SES 1500.0/A Drainage channel with tight formed-in flanged drain outlet Ø 110 mm 8) *) **)	010713858	1000	150	22,00
MEADRAIN SES 1500.1 Drainage channel body 4) *) **)	010713856	500	150	10,28

*) Delivery time on demand.

**) Not suitable for the diagonal or transverse travel of motorways and highways.

4) Connection option for vertical drain Ø 110 mm or to end caps with connector or to gullies / silt boxes.

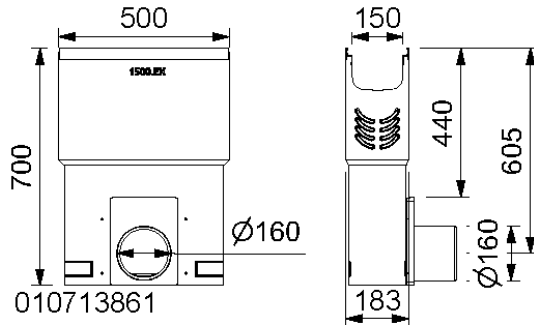
8) With tight formed-in drain outlet Ø 110 mm.

MEADRAIN SVS / SES / SGS 1500

A 15, B 125, C 250, D 400**, E 600**

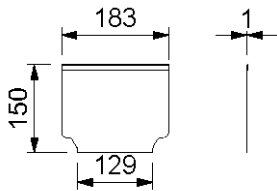
Nominal width 150

MEADRAIN SES 1500 ACCESSORIES

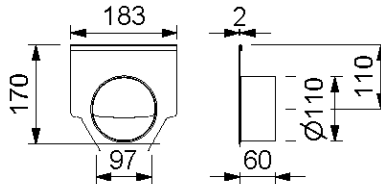


MEADRAIN SES 1500 GULLY INCL. PLASTIC SEDIMENT BUCKET *) **)

Description	Order No.	Length [mm]	Construction height [mm]	kg/unit
MEADRAIN SES 1500.EK160 silt box incl. sediment bucket, for pipe connection Ø 160 mm, open on both sides for construction height 150 mm *) **)	010713861	500	700	37,90



010713862



010713864

MEADRAIN SES 1500 END CAP

Description	Order No.	Construction height [mm]	Material	kg/unit
MEADRAIN SES 1500.SE End cap for channel start/end, closed, fixed height *) **)	010713862	150	Stainl. steel	0,22
MEADRAIN SES 1500.E End cap for channel end with connector Ø 110 mm, fixed height *) **)	010713864	170	Stainl. steel	0,53

*) Delivery time on demand.

**) Not suitable for the diagonal or transverse travel of motorways and highways.

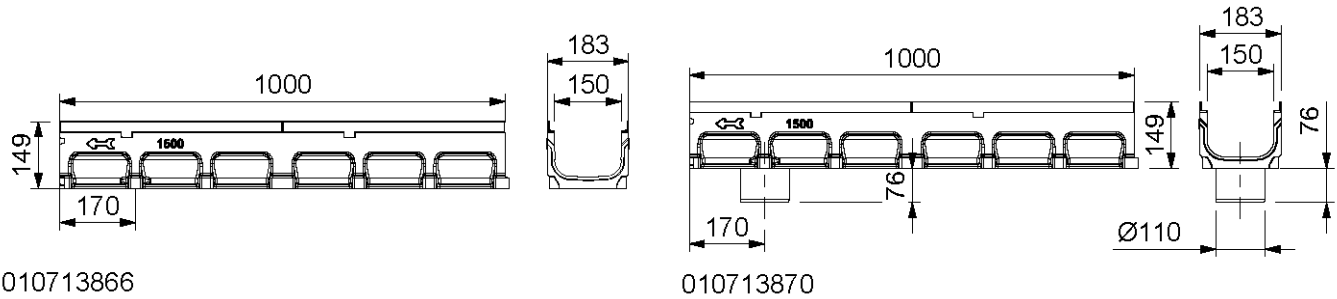
MEADRAIN SVS / SES / SGS 1500

A 15, B 125, C 250, D 400**, E 600**

Nominal width 150

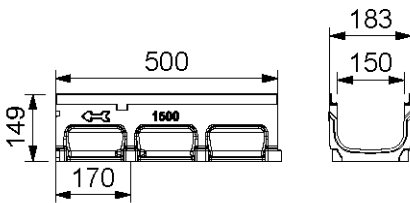
MEADRAIN SGS 1500 POLYMER CONCRETE DRAINAGE CHANNEL WITH EDGE PROTECTION MADE OF DUCTILE IRON, SEALING JOINT ACCORDING TO EN 1433

Clear width of the channel body 150 mm, total width 183 mm. Suitable for the all channel covers **MEA 150 CLIPFIX** and **TOPSLOTS TSH 150** with longitudinal shift protection. Loading classes A 15 to E 600** according to EN 1433. Loading capacity according to specification when installed according to the MEA installation instructions.



010713866

010713870



010713868

MEADRAIN SGS 1500 DRAINAGE CHANNEL BODY WITHOUT FALL, LOADING CLASS E 600 ACCORDING TO EN 1433 **)

Description	Order No.	Length [mm]	Construction height [mm]	kg/unit
MEADRAIN SGS 1500.0 Drainage channel body 4) **)	010713866	1000	150	17,70
MEADRAIN SGS 1500.0/A Drainage channel with outlet Ø 110 mm 8) **)	010713870	1000	150	17,90
MEADRAIN SGS 1500.1 Drainage channel body 4) **)	010713868	500	150	8,50

**) Not suitable for the diagonal or transverse travel of motorways and highways.

4) Connection option for vertical drain Ø 110 mm or to end caps with connector or to gullies / silt boxes.

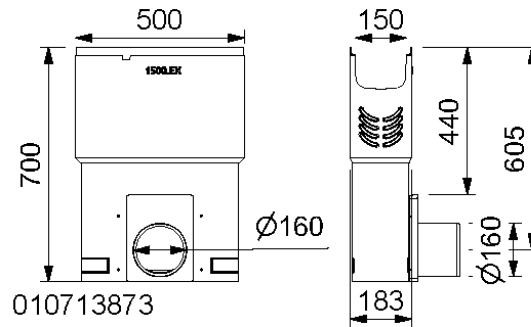
8) With tight formed-in drain outlet Ø 110 mm.

MEADRAIN SVS / SES / SGS 1500

A 15, B 125, C 250, D 400**, E 600**

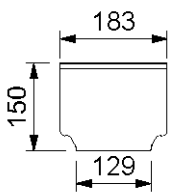
Nominal width 150

MEADRAIN SGS 1500 ACCESSORIES

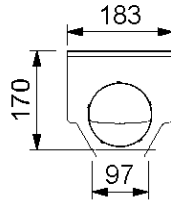


MEADRAIN SGS 1500 GULLY INCL. PLASTIC SEDIMENT BUCKET *) **)

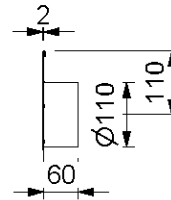
Description	Order No.	Length [mm]	Construction height [mm]	kg/unit
MEADRAIN SGS 1500.EK160 silt box incl. sediment bucket, for pipe connection Ø 160 mm, open on both sides for construction height 150 mm *) **)	010713873	500	700	37,90



010713850



010713852



MEADRAIN SVS/SGS 1500 END CAPS

Description	Order No.	Construction height [mm]	Material	kg/unit
MEADRAIN SVS/SGS 1500.SE End cap for channel start/end, closed, fixed height **)	010713850	150	Galv. steel	0,22
MEADRAIN SVS/SGS 1500.E Stirnplatte mit Stützen Ø 110 mm für Rinnenende, fixe Höhe **)	010713852	170	Galv. steel	0,53

**) Not suitable for the diagonal or transverse travel of motorways and highways.

This edition of the technical data sheet is valid on its own from July 2022, until a revised version is published, and replaces earlier publications. The current version is available for download at www.mea-group.com

MEA Bautechnik GmbH
 Business unit Water Management
 Sudetenstraße 1
 86551 Aichach
 Tel.: +49 (0) 82 51. 91 0
 Fax: +49 (0) 82 51. 91 13 06
 E-Mail: info@mea-group.com
www.mea-group.com