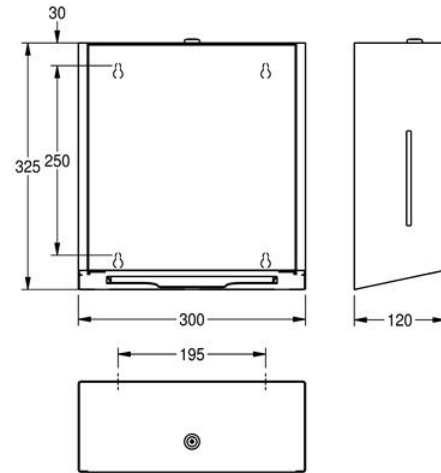


# PAPER TOWEL DISPENSER

EXOS600B | 2030022934

PRODUCT GROUP : **Accessories** | ARTICLE FAMILY : **Paper towel dispensers** | MODEL RANGE : **EXOS** | ARTICLE GROUP : **EXOS600 ++**



Paper towel dispenser for wall mounting, stainless steel with satin finish, black safety glass front panel, casing with InoxPlus surface refinement for the reduction of finger marks and better cleaning characteristics (easy to clean), material thickness 1.2 mm, inspection window on side, capacity 300 - 400 pieces of Z-folded paper, includes mounting materials.

Dimensions: 300 x 326 x 120 mm (W x H x D)

## TECHNICAL DATA

|                    |                                |
|--------------------|--------------------------------|
| gross weight       | 5.10 kg                        |
| net weight         | 4.67 kg                        |
| filling quantity   | 400 towels                     |
| lock               | key-lock                       |
| material           | stainless steel                |
| material code      | 1.4301 Chrome Nickel steel V2A |
| material thickness | 1.20 mm                        |
| overall depth      | 120.00 mm                      |
| overall height     | 326.00 mm                      |
| overall width      | 300.00 mm                      |
| surface finish     | satin finished                 |
| surface treatment  | InoxPlus (anti fingerprint)    |
| type of consumable | paper towel                    |
| type of fixing     | screw                          |
| type of mounting   | wall mounting                  |
| type of operation  | manual operation               |