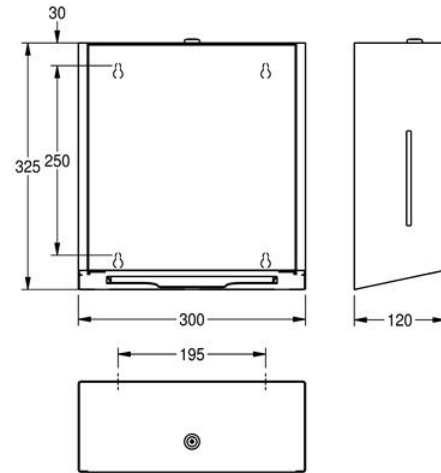


# PAPER TOWEL DISPENSER

EXOS600X | 2030022933

PRODUCT GROUP : **Accessories** | ARTICLE FAMILY : **Paper towel dispensers** | MODEL RANGE : **EXOS** | ARTICLE GROUP : **EXOS600 ++**



Paper towel dispenser for wall mounting, stainless steel with satin finish, front and casing with InoxPlus surface refinement for the reduction of finger marks and better cleaning characteristics (easy to clean), material thickness 1.2 mm, inspection window on side, capacity 300 - 400 pieces of Z-folded paper, includes mounting materials.

Dimensions: 300 x 326 x 120 mm (W x H x D)

## TECHNICAL DATA

gross weight	4.36 kg
net weight	3.98 kg
filling quantity	400 towels
lock	key-lock
material	stainless steel
material code	1.4301 Chrome Nickel steel V2A
material thickness	1.20 mm
overall depth	120.00 mm
overall height	326.00 mm
overall width	300.00 mm
surface finish	satin finished
surface treatment	InoxPlus (anti fingerprint)
type of consumable	paper towel
type of fixing	screw
type of mounting	wall mounting
type of operation	manual operation

# PAPER TOWEL DISPENSER

EXOS600X | 2030022933

PRODUCT GROUP : **Accessories** | ARTICLE FAMILY : **Paper towel dispensers** | MODEL RANGE : **EXOS** | ARTICLE GROUP : **EXOS600 ++**

---

## SPARE PART

---



---

**ROESTVRIJ STAAL FRONT**

---

2030022936

---



---

**FAÇADE AVEC VERRE  
TREMPÉ NOIR**

---

2030022937

---



---

**FAÇADE AVEC VERRE  
TREMPÉ BLANC**

---

2030025236

---