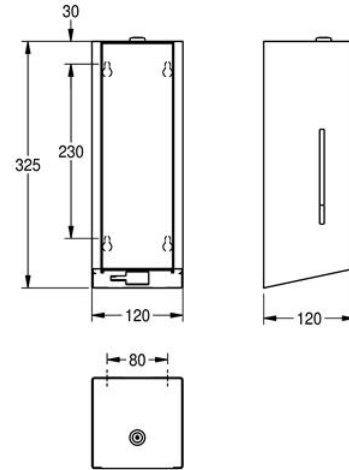


# SOAP DISPENSER

EXOS625X | 2030022942

PRODUCT GROUP : **Accessories** | ARTICLE FAMILY : **Soap dispensers** | MODEL RANGE : **EXOS** | ARTICLE GROUP : **EXOS625 ++**



Touch free soap dispenser for wall mounting, stainless steel with satin finish, front and casing with InoxPlus surface refinement for the reduction of finger marks and better cleaning characteristics (easy to clean), material thickness 1.2 mm, inspection window on side, infrared sensor activity for non-touch operation, LED display shows battery status, requires 4 pieces 1.5V AA batteries, suitable for liquid soap and lotions, includes 800 ml refill tank, dispenses 0.6 - 1.1 ml depending on soap, includes mounting materials.

Dimensions: 120 x 326 x 120 mm (W x H x D)

## TECHNICAL DATA

gross weight	2.54 kg
net weight	2.43 kg
filling quantity	800 ml
lock	key-lock
material	stainless steel
material code	1.4301 Chrome Nickel steel V2A
material thickness	1.20 mm
number of batteries	4.000000000000000E+00
overall depth	120.00 mm
overall height	326.00 mm
overall width	120.00 mm
surface finish	satin finished
surface treatment	InoxPlus (anti fingerprint)
type of batteries	AA Mignon battery 1.5 V
type of consumable	liquid soap
type of fixing	screw
type of mounting	wall mounting
type of operation	sensor operation
type of soap container	integrated refillable tank