



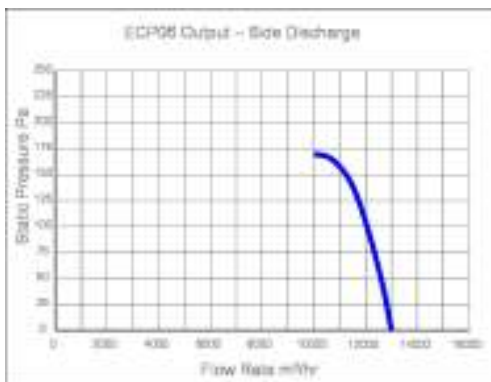
**FACTSHEET 0711**

**ECP07S Side Discharge Specification**

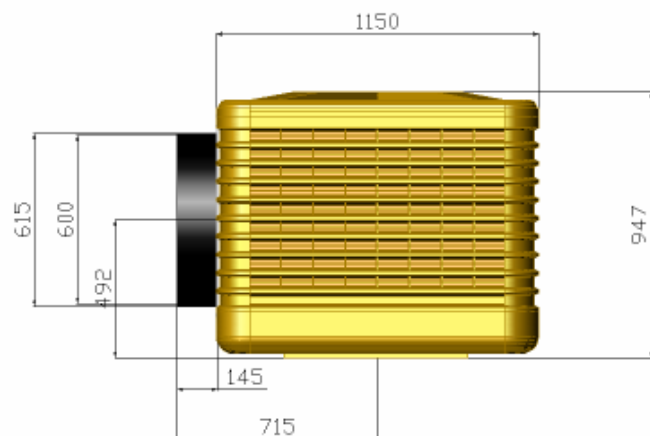
Nominally rate at **12,000m<sup>3</sup>/hr** this evaporative cooler is manufactured by EcoCooling Limited in an ISO 9002 quality environment.

Based upon an ECP07 EcoCooler a single side panel is replaced by a stainless steel fan transition element. A further stainless steel blanking plate is used to seal the existing venturi position.

Duct can be fixed to the steel element or to the 600mm internal diameter venture.



**Dimensions**



**Conversion**

The cooler can be supplied complete or as a set of change parts. The procedure for conversion is:

- Remove all four sides
- Remove water distributor from side where fan is going and plug the water pipe.
- Fit fan transition element and fix with self drilling screws.
- Unclip venturi/fan from sump and locate in transition element (it is not necessary to disconnect the fan power cable)
- Fix bottom blanking plate with 8 self drilling screws
- Replace 3 sides

**Fan Transition Element**



**Conversion Kit**

- 1 x Fan Transition Element
- 4 x 8mm nuts/bolts for fan fixing
- 1 x Bottom Blanking Plate
- 18 x self drilling screws
- 1 x Ø15mm hose plug