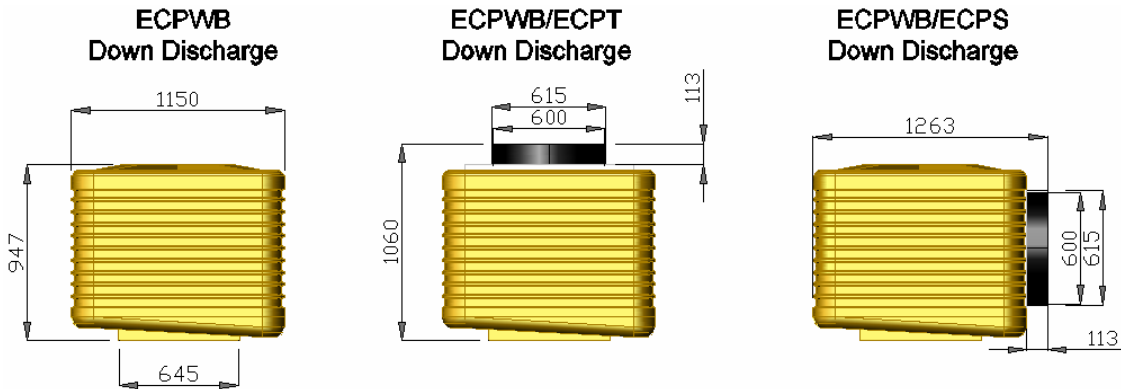
	<p>SPECIFICATION 0620</p> <p>ECPWP Wet Box</p>
---	--

The ECPWB wet box is available in side, down and top discharge configuration.



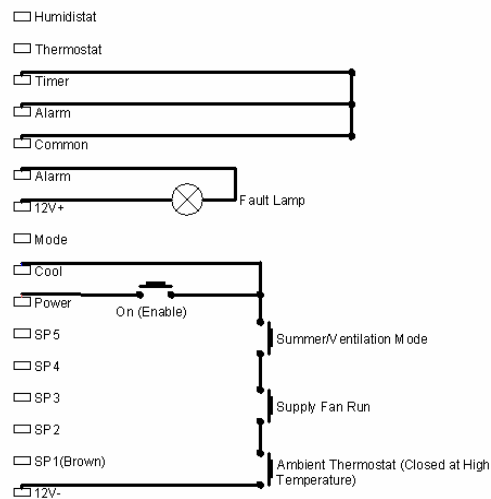
TYPICAL CONTROL: The EcoCooler Wet Box is controlled using switches. Typical use is for a wet box to pre cool air entering an air handling plant. Appropriate contacts are used so that the water circulation, and hence cooling, is enabled when the following conditions exist:

- The air handler is running
- The air handler is in full fresh air mode
- The ambient temperature is above a set point (typically 15C)

The EcoCooler Wet Box is enabled using an separate switch.

Fault conditions are indicated by a fault lamp.

Wet Box Controls



DESIGN: EcoCooling will provide design support as each application is unique. An Excel design program is available upon request.

NOMINAL PRESSURE DROP AND MAXIMUM FLOW RATE:

- Down and Top Discharge: 52 Pa@14400 maximum flow rate
- Side Discharge: 52Pa@10,800 cum/hr maximum flow rate

SERVICES SPECIFICATIONS

WATER: Supply minimum 1 bar max 7 bar. Minimum supply 500 L/hr. Sump Capacity 23L

ELECTRICAL SUPPLY: 240V 50Hz. 3A running. External isolator fitted as standard.

DRAIN: Minimum capacity 2000l/hr to an appropriate drain point in accordance with local water regulations.

CIRCULATION PUMP: 50W, 30L/min, Centrifugal, Encapsulated, Shaded Pole Magnetically Coupled, Auto-reset overload.

WEIGHT: Dry 45Kg Operating 82kg

WARRANTY: Two years: parts only.