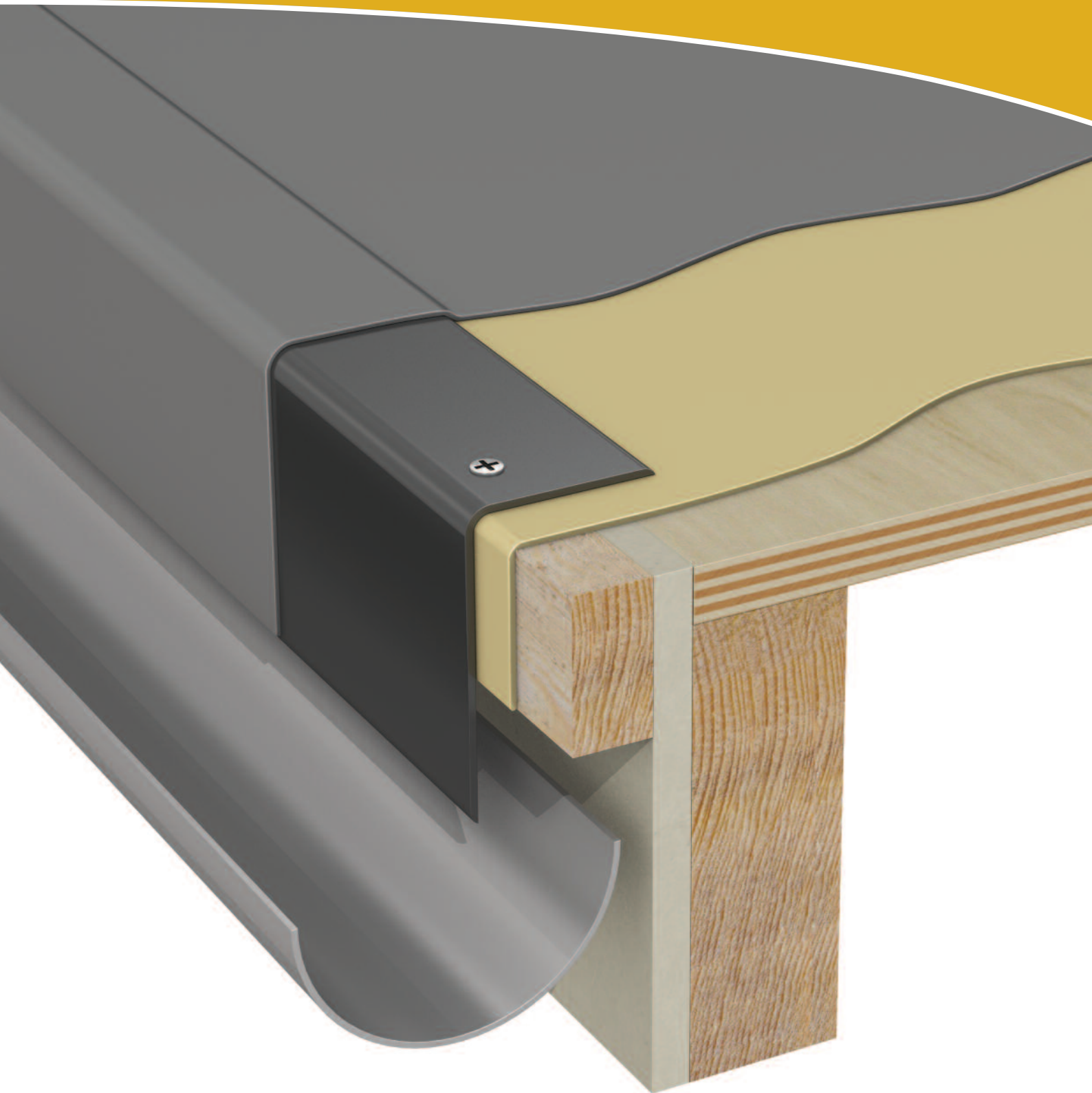


Product overview ♦ Roof trims

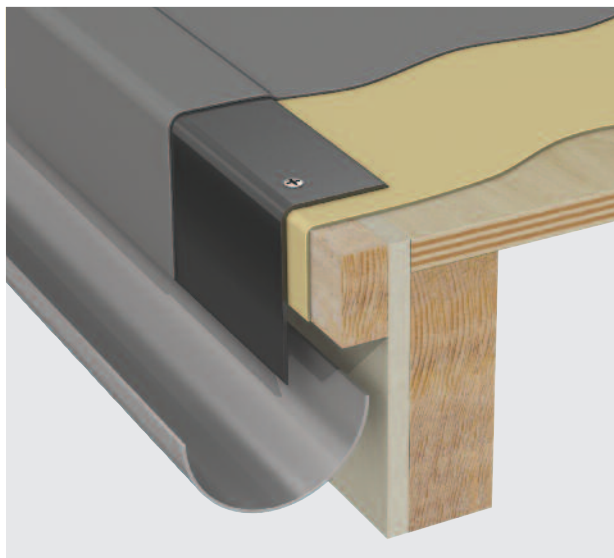
# Em-Trim™ GRP drip edge trim L100/60



Whitesales®  
Rooflights & more...

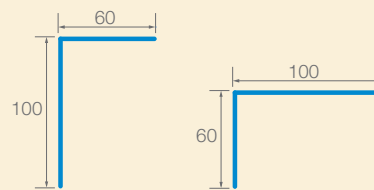
Product overview ♦ Roof trims

# Em-Trim™ GRP drip edge trim L100/60



## Features

- For use with liquid membranes
- Simple to install
- Neat drip edge detail
- In stock
- External and internal angles available
- Simple to handle, work and install



## Description

Drip edge trim L100/60 is a profile developed to use in conjunction with liquid waterproofing, but can also be used for other applications. Whilst very simple in design, it is a very effective means of terminating the liquid membrane on an edge where water needs to run off. The liquid waterproofing can be terminated either at the top or bottom of the face.

This profile compliments our very wide existing range of GRP roof edge trims and termination bars for use with most felt, asphalt and liquid roofing systems.

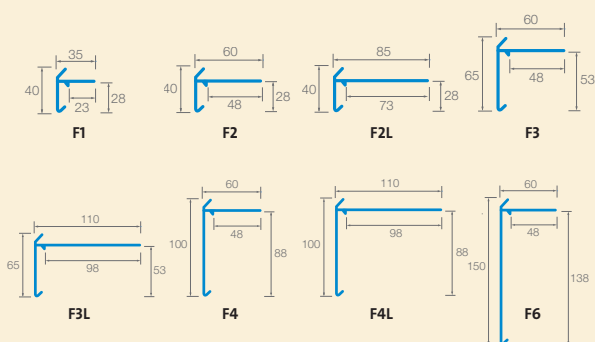
Whitesales GRP Em-Trim edge trims and Em-Bar termination bars provide a simple solution for finishing roof details in a neat and unobtrusive way. The products are virtually maintenance free and most profiles are available from stock in black, white and grey.

All trims can also be polyester powder coated to any RAL or BS colour.

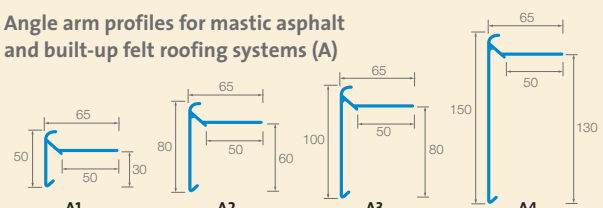
All profiles available ex-stock, for next day delivery.

## GRP roof edge trim range

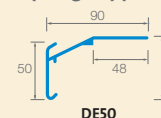
Flat arm profiles for built-up felt roofing systems (F)



Angle arm profiles for mastic asphalt and built-up felt roofing systems (A)



Drip edge applications



Termination bars

