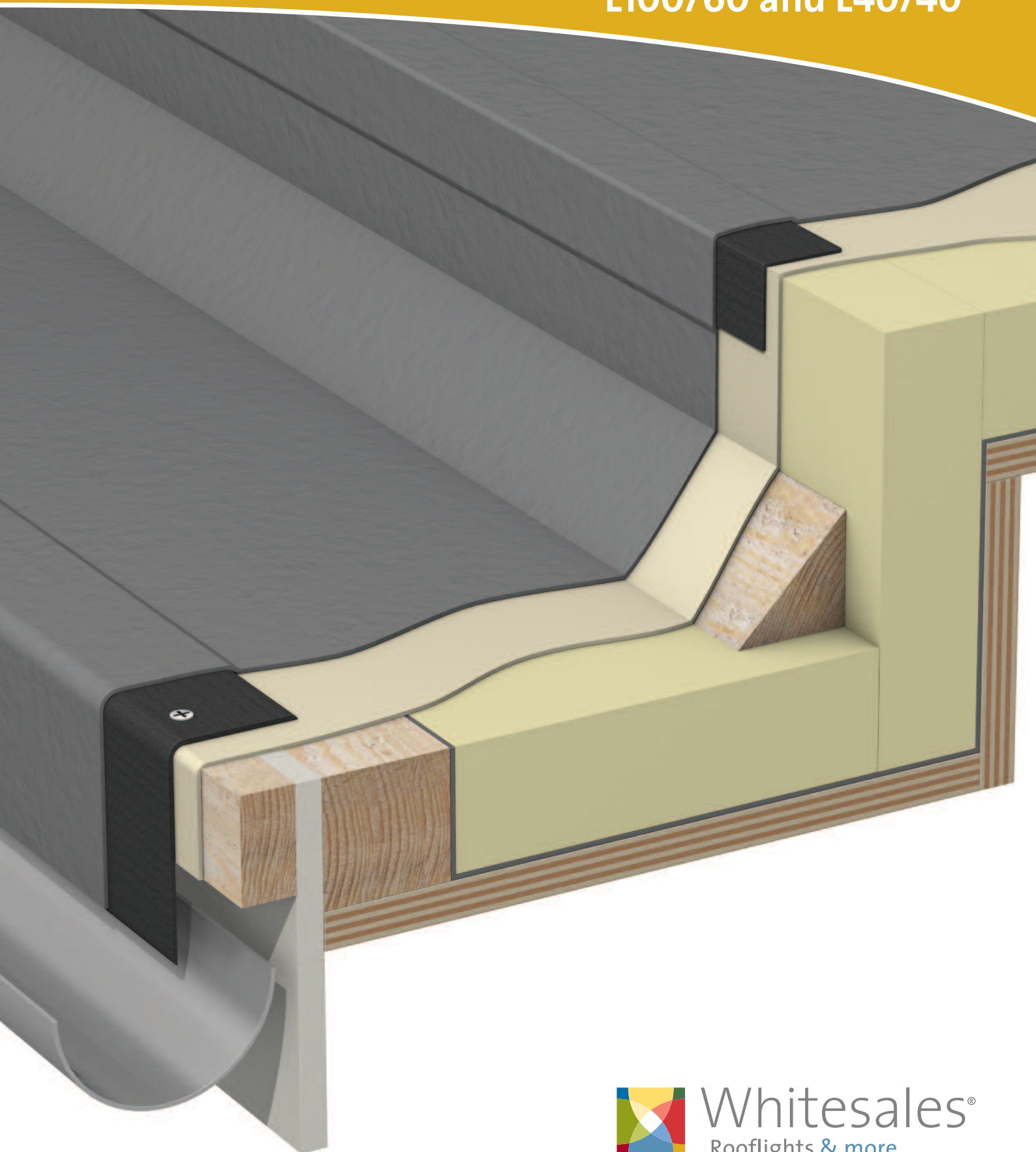


Product overview ♦ Roof trims

# Em-Trim™ GRP drip edge trim

## L100/60 and L40/40



Whitesales®  
Rooflights & more...

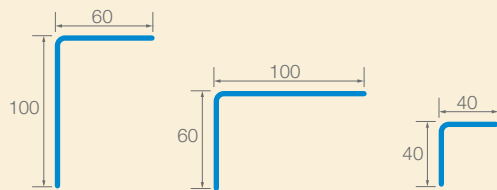
# Em-Trim™ GRP drip edge trim

## L100/60 and L40/40



### Features

- For use with liquid membranes
- Simple to install
- Neat drip edge detail
- In stock
- External and internal angles available
- Simple to handle, work and install



### Description

Em-Trim L100/60 and Em-Trim L40/40 are profiles developed for use primarily in conjunction with liquid waterproofing membranes, but can also be used for various other applications.

The primary use of L100/60 is as a very effective means of terminating liquid membranes on a drip edge where water needs to run off, often into a gutter. The membrane can be terminated at either the top or the bottom of the face.

Whilst very simple in design, the products are extremely versatile and can be used for many other roof finishing details, such as internal or external corners on abutments or upstands, especially when encapsulating roof details with waterproofing membranes.

These profiles compliment our very wide existing range of GRP roof edge trims and termination bars for use with most felt, asphalt and liquid roofing systems.

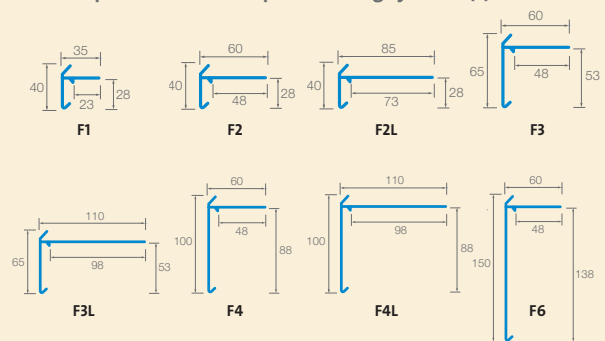
Whitesales GRP Em-Trim edge trims and Em-Bar termination bars provide a simple solution for finishing roof details in a neat and unobtrusive way. The products are virtually maintenance free and most profiles are available from stock in black, white and grey.

All trims can also be polyester powder coated to any RAL or BS colour.

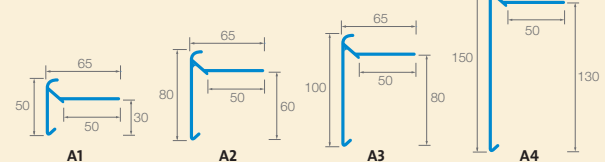
All profiles available ex-stock, for next day delivery.

### GRP Em-Trim and Em-Bar ranges

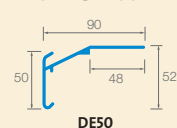
#### Flat arm profiles for built-up felt roofing systems (F)



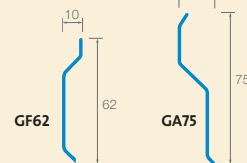
#### Angle arm profiles for mastic asphalt and built-up felt roofing systems (A)



#### Drip edge applications



#### Termination bars



#### Flat bars

(any size up to 200 mm)

