

main casing available upto 4m in length
without horizontal joint

vertical secret fix aluminium jointing
system with decorative insert strip

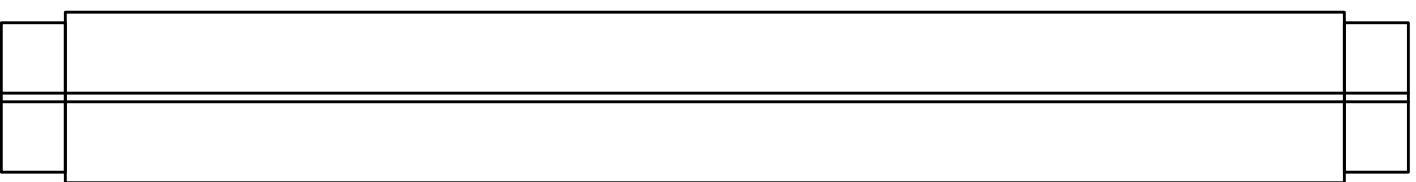
recessed collar

low level stiffening braces
(if required)

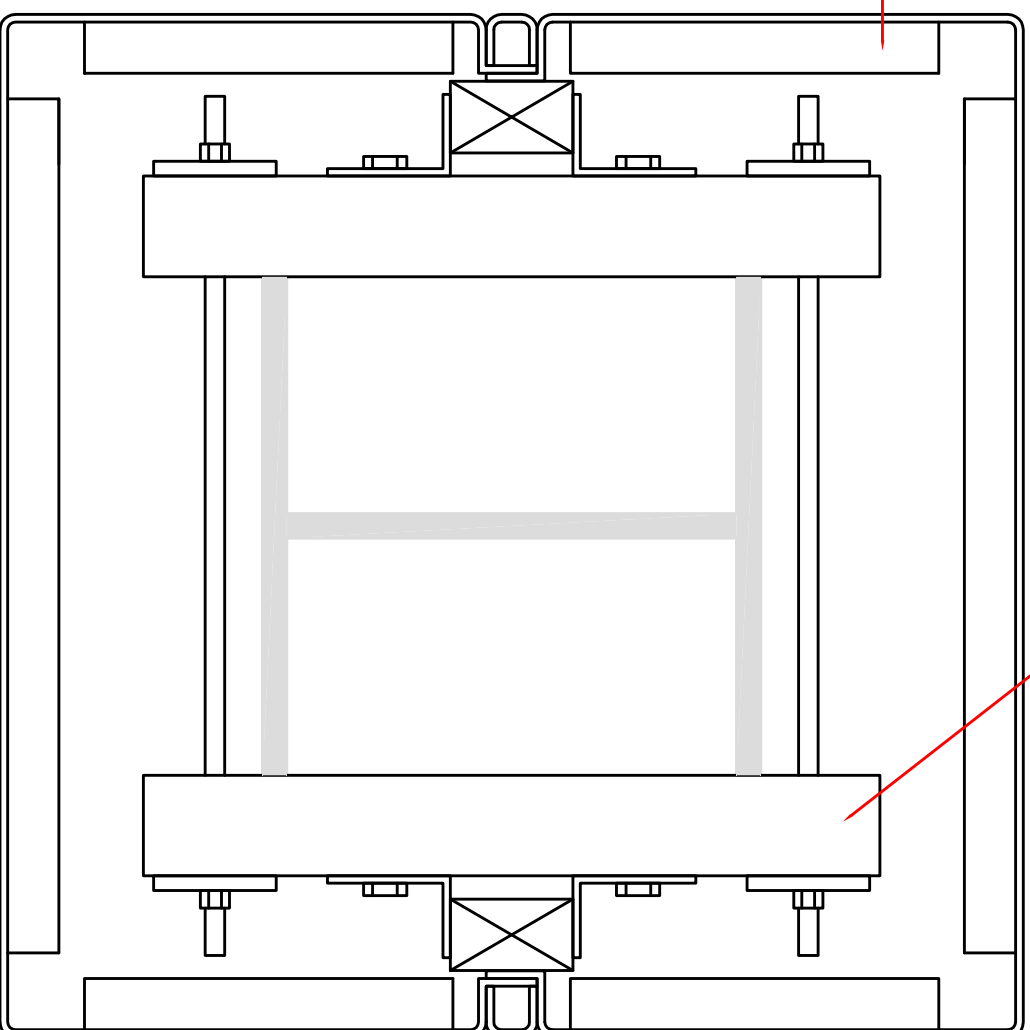
various finished available

various radii on corners available (as required)

bespoke framework system (optional)



ELEVATION



EXPLODED PLAN

DATE 18.7.09	DRAWN MT	CLIENT/PROJECT VARIOUS	SCALE NTS
APPROVED	DATE	PROJECT DETAIL GENERIC SQUARE METAL COLUMN CASING DETAIL	DWG No.
<small>THIS DRAWING MUST BE REVIEWED IN CONJUNCTION WITH ANY SUPPORTING QUOTATIONS REFERENCED. - THE DESIGN DETAILED IN THIS DRAWING FORMS PART OF A PROPOSED SOLUTION. - ALL QUANTITIES AND MEASUREMENTS MUST BE CHECKED IN CONJUNCTION WITH SUPPORTING QUOTATION AGAINST CLIENTS REQUIREMENTS. SPECIFIC CONSIDERATION SHOULD BE GIVEN TO DIMENSIONAL ACCURACY (INCLUDING INT. CLEARANCE). - ENCASEMENT LTD SHALL NOT BE LIABLE FOR ANY CLAIM ARISING OUT OF THE USE OF THIS DESIGN IN A SCHEME NOT APPROVED IN WRITING BY ENCASEMENT LTD. - THIS DRAWING MUST NOT BE LENT OR COPIED, AND THE DESIGN MUST NOT BE COPIED. COPYRIGHT AND DESIGN RIGHT IN THIS DRAWING RESTS WITH ENCASEMENT LTD. - THE CUSTOMER OR ITS CONTRACTOR OR AGENT IS RESPONSIBLE FOR VERIFYING THE ACCURACY AND SUITABILITY OF THE DESIGN IN THIS DRAWING. - ENCASEMENT LTD STANDARD TERMS AND CONDITIONS APPLY.</small>		REV	