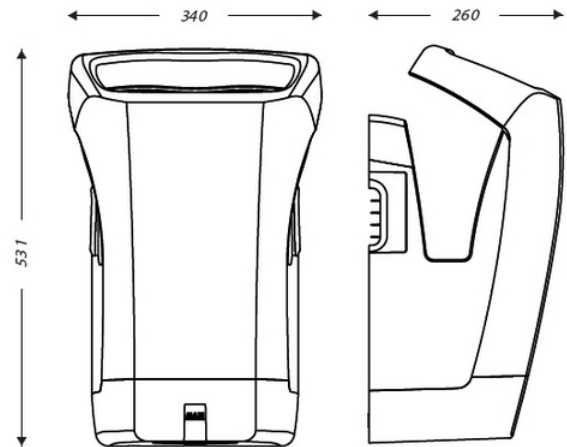


HAND DRYER: F0442

F0442 | 2030022068

ARTICLE GROUP : F0442++ | ARTICLE FAMILY : Hand dryers | PRODUCT GROUP : Dryers | MODEL RANGE : DRYERS



The Eco-Airblast Maxi Plus is a warm, high speed 'hands in' dryer using sophisticated air curtain technology. Packed with benefits, it's available in silver and white ABS and is a must for any commercial washroom. Benefits include, No heating element as it cleverly recycles heat from the motor to generate warm air. Costs only £30 a year to run, saving up to £800 on the cost of paper towels, Easy-to-clean removable water tank, Touch free operation with anti-bacterial surface protection, Puretab tablets can be used to control odour and prevent sludge build up in the drip tray.

Hand Dryer

TECHNICAL DATA

air velocity	not adjustable
input supply voltage Hz	50.00 hertz
input supply voltage V	220.00 volt
gross weight	6.00 kg
material	composite
motor power	1,200.00 watt
net weight	6.00 kg
overall depth	260.00 mm
overall height	530.00 mm
overall width	340.00 mm
protective system IP	IP44
sound level	75.00 dB
type of fixing	screw
type of mounting	wall mounting
type of operation	sensor operation