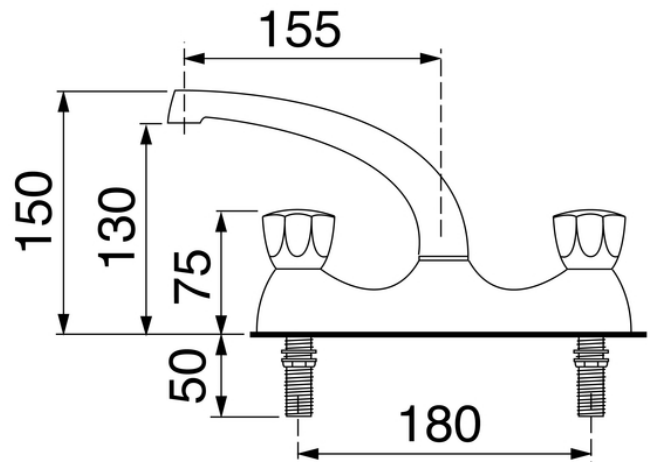


TAP: F1026

F1026 | 2000100345

PRODUCT GROUP : Taps | ARTICLE GROUP : F1026 | ARTICLE FAMILY : Manual taps



Manufactured from chromium plated brass the 13mm deck pattern mixer is ideal for the small style sink. The swivel spout allows water to flow into both bowls when fitted centrally between the sink bowls. Complete with fluted handles which are moulded to give a comfortable and easy operation. The mixer tap can be fitted to any suitable sink top drilled for tapholes at 180mm centres. WRAS approved.

13mm deck pattern tap

TECHNICAL DATA

calculation flow rate cold water	0.20 liter per second
calculation flow rate hot water	0.20 liter per second
gross weight	0.00 kg
diameter nominal	DN 10
minimum flow pressure	0.20 bar
type of mixing	with mixer
overall depth	155.00 mm
overall height	150.00 mm
overall width	310.00 mm
sound insulation	no
spout projection	155.00 mm
surface material	chrome
type of fitting	pillar tap
volume flow rate at 3 bar	0.20 liter per second
net weight	0.00 kg