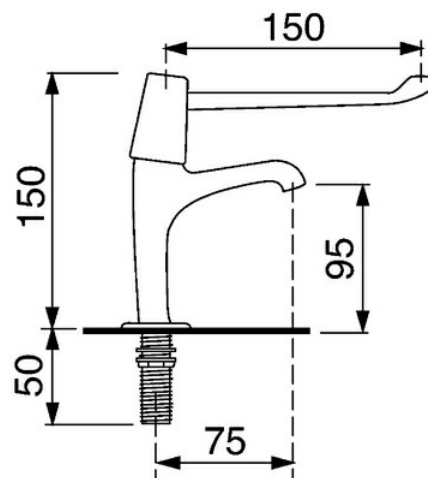


TAP: F1074

F1074 | 2000100426

PRODUCT GROUP : Taps | ARTICLE GROUP : F1074 | ARTICLE FAMILY : Manual taps



Manufactured from chromium plated brass the pillar taps are supplied with 150mm long levers which can be operated by either the elbows or wrists, using a quarter turn action. A wall mounted elbow is available as an extra. WRAS approved.

13mm lever operated pillar taps (per pair)

TECHNICAL DATA

calculation flow rate cold water	0.20 liter per second
calculation flow rate hot water	0.20 liter per second
gross weight	2.00 kg
diameter nominal	DN 10
minimum flow pressure	0.20 bar
net weight	2.00 kg
overall depth	150.00 mm
overall height	150.00 mm
overall width	150.00 mm
sound insulation	no
spout projection	75.00 mm
surface material	chrome
type of fitting	pillar tap
volume flow rate at 3 bar	0.20 liter per second