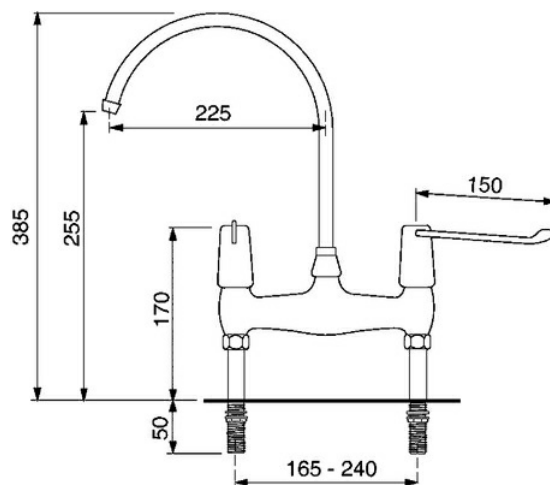


TAP: F1075

F1075 | 2000100427

PRODUCT GROUP : Taps | ARTICLE GROUP : F1075 | ARTICLE FAMILY : Manual taps



Manufactured from chromium plated brass the mixer tap is supplied with 150mm long levers which can be operated by either the elbows or wrists, using a quarter turn action. Suitable for use with tapholes between 165 - 240mm centres. WRAS approved.

13mm lever operated mixer tap

TECHNICAL DATA

calculation flow rate cold water	0.20 liter per second
calculation flow rate hot water	0.20 liter per second
gross weight	0.00 kg
diameter nominal	DN 10
minimum flow pressure	0.20 bar
type of mixing	with mixer
overall depth	225.00 mm
overall height	385.00 mm
overall width	450.00 mm
sound insulation	no
spout projection	225.00 mm
surface material	chrome
type of fitting	lever mixer
volume flow rate at 3 bar	0.20 liter per second
net weight	0.00 kg